

## RAD-TOLERANT CLASS-V, SWITCHED MODE CONTROLLER FOR DC MOTOR DRIVE

Check for Samples: [UC1637-SP](#)

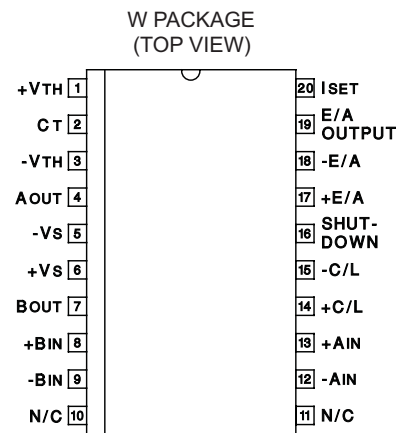
### FEATURES

- QML-V Qualified, SMD 5962-89957
- Rad Tolerant: 30 kRad(Si) TID <sup>(1)</sup>
  - TID Dose Rate = 10 mRad/sec
- Single or Dual Supply Operation
- $\pm 2.5\text{-V}$  to  $\pm 20\text{-V}$  Input Supply Range
- $\pm 5\%$  Initial Oscillator Accuracy;  $\pm 10\%$  Over Temperature
- Pulse-by-Pulse Current Limiting
- Under-Voltage Lockout
- Shutdown Input with Temperature Compensated 2.5-V Threshold
- Uncommitted PWM Comparators for Design

(1) Radiation tolerance is a typical value based upon initial device qualification. Radiation Lot Acceptance Testing is available - contact factory for details.

### Flexibility

- Dual 100-mA Source/Sink Output Drivers



### DESCRIPTION

The UC1637 is a pulse width modulator circuit intended to be used for a variety of PWM motor drive and amplifier applications requiring either uni-directional or bi-directional drive circuits. When used to replace conventional drivers, this circuit can increase efficiency and reduce component costs for many applications. All necessary circuitry is included to generate an analog error signal and modulate two bi-directional pulse train outputs in proportion to the error signal magnitude and polarity.

This monolithic device contains a sawtooth oscillator, error amplifier, and two PWM comparators with  $\pm 100\text{-mA}$  output stages as standard features. Protection circuitry includes under-voltage lockout, pulse-by-pulse current limiting, and a shutdown port with a 2.5-V temperature compensated threshold.

The UC1637 is characterized for operation over the full space temperature range of  $-55^{\circ}\text{C}$  to  $125^{\circ}\text{C}$ .

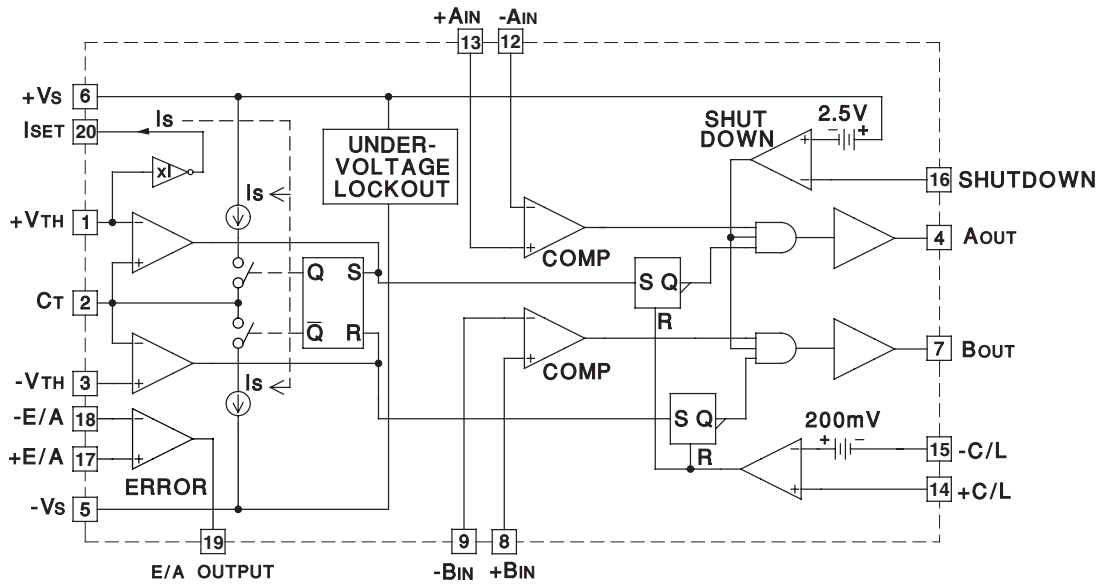
### ORDERING INFORMATION

$T_A$	PACKAGE	ORDERABLE PART NUMBER	TOP-SIDE MARKING
$-55^{\circ}\text{C}$ to $125^{\circ}\text{C}$	CFP-20	5962-8995701VSA	UC1637W-SP



Please be aware that an important notice concerning availability, standard warranty, and use in critical applications of Texas Instruments semiconductor products and disclaimers thereto appears at the end of this data sheet.

**FUNCTIONAL BLOCK DIAGRAM**



Note: Fault latches are reset dominant.

**ABSOLUTE MAXIMUM RATINGS<sup>(1) (2)</sup>**

over operating free-air temperature range (unless otherwise noted)

		VALUE	UNIT
$V_S$	Supply voltage	$\pm 20$	V
$I_O$	Output current, source/sink ( $A_{OUT}$ , $B_{OUT}$ )	Peak	500
		Steady-state	100
Analog inputs ( $+V_{TH}$ , $C_T$ , $-V_{TH}$ , $+B_{IN}$ , $-B_{IN}$ , $-A_{IN}$ , $+A_{IN}$ , $+C/L$ , $-C/L$ , SHUTDOWN, $+E/A$ , $-E/A$ )		$\pm V_S$	V
Error amplifier output current ( $E/A_{OUTPUT}$ )		$\pm 20$	mA
Oscillator charging current ( $I_{SET}$ )		-2	mA
$T_J$	Junction temperature	150	$^{\circ}C$
$T_{stg}$	Storage temperature range	-65 to 150	$^{\circ}C$
	Lead temperature (soldering, 10 seconds)	300	$^{\circ}C$

- (1) Stresses beyond those listed under "absolute maximum ratings" may cause permanent damage to the device. These are stress ratings only. Exposure to absolute-maximum-rated conditions for extended periods may affect device reliability.
- (2) Currents are positive into, negative out of the specified terminal.

## ELECTRICAL CHARACTERISTICS

over operating free-air temperature range,  $V_S = 15\text{ V}$ ,  $-V_S = -15\text{ V}$ ,  $+V_{TH} = 5\text{ V}$ ,  $-V_{TH} = -5\text{ V}$ ,  $R_T = 16.7\text{ k}\Omega$ ,  $C_T = 1500\text{ pF}$ ,  $T_A = -55^\circ\text{C}$  to  $125^\circ\text{C} = T_J$  (unless otherwise noted).

PARAMETER		TEST CONDITIONS	MIN	TYP	MAX	UNIT	
<b>OSCILLATOR</b>							
Initial accuracy <sup>(1)</sup>		$T_J = 25^\circ\text{C}$	9.4	10	10.6	kHz	
		$T_J = -55^\circ\text{C}$ to $125^\circ\text{C}$	9.2		10.8		
Voltage stability		$V_S = \pm 5\text{ V}$ to $\pm 20\text{ V}$ , $+V_{TH} = 3\text{ V}$ , $-V_{TH} = -3\text{ V}$		5	7	%	
Temperature stability		Over operating range		0.5		%	
Input bias current		$+V_{TH}$	$C_T = 6\text{ V}$	-10	0.1	10	$\mu\text{A}$
		$-V_{TH}$	$C_T = 0\text{ V}$	-10	-0.5		
Input range ( $+V_{TH}$ , $-V_{TH}$ )			$-V_S+2$		$+V_S-2$	V	
<b>ERROR AMPLIFIER</b>							
Input offset voltage		$V_{CM} = 0\text{ V}$		1.5	$\pm 5$	mV	
Input bias current		$V_{CM} = 0\text{ V}$		0.5	5	$\mu\text{A}$	
Input offset current		$V_{CM} = 0\text{ V}$		0.1	$\pm 1$	$\mu\text{A}$	
Common mode range		$V_S = \pm 2.5\text{ V}$ to $\pm 20\text{ V}$	$-V_S+2$		$+V_S$	V	
Open loop voltage gain		$R_L = 10\text{ k}$	75	100		dB	
Slew rate				15		V/ $\mu\text{s}$	
Unity gain bandwidth				1		MHz	
CMRR		Over common mode range	75	100		dB	
PSRR		$V_S = \pm 2.5\text{ V}$ to $\pm 20\text{ V}$	75	110		dB	
Output sink current		$E/A_{\text{OUTPUT}} = 0\text{ V}$	20	50		mA	
Output source current		$E/A_{\text{OUTPUT}} = 0\text{ V}$		-11	-5	mA	
High level output voltage			13	13.6		V	
Low level output voltage				-14.8	-13	V	
<b>PWM COMPARATORS</b>							
Input offset voltage		$V_{CM} = 0\text{ V}$	-10	20	50	mV	
Input bias current		$V_{CM} = 0\text{ V}$		2	10	$\mu\text{A}$	
Input Hysteresis		$V_{CM} = 0\text{ V}$		10	30	mV	
Common mode range		$V_S = \pm 5\text{ V}$ to $\pm 20\text{ V}$	$-V_S+1$		$+V_S-2$	V	
<b>CURRENT LIMIT</b>							
Input offset voltage		$V_{CM} = 0\text{ V}$ , $T_J = 25^\circ\text{C}$	190	200	210	mV	
		$V_{CM} = 0\text{ V}$ , $T_J = -55^\circ\text{C}$ to $125^\circ\text{C}$	160		370		
Input offset voltage T.C.				-0.2		mV/ $^\circ\text{C}$	
Input bias current			-10	-1.5		$\mu\text{A}$	
Common mode range		$V_S = \pm 2.5\text{ V}$ to $\pm 20\text{ V}$	$-V_S$		$+V_S-3$	V	
<b>SHUTDOWN</b>							
Shutdown threshold <sup>(2)</sup>			-2.7	-2.5	-2.3	V	
Hysteresis				40		mV	
Input bias current		SHUTDOWN = $+V_S$ to $-V_S$	-10	-0.5		$\mu\text{A}$	
<b>UNDER-VOLTAGE LOCKOUT</b>							
Start threshold <sup>(3)</sup>				4.15	5	V	
Hysteresis			75	250	500	mV	
<b>TOTAL STANDBY CURRENT</b>							
Supply current				8.5	15	mA	

(1)  $R_T$  and  $C_T$  referenced to ground.

(2) Parameter measured with respect to  $+V_S$  (Pin 6).

(3) Parameter measured at  $+V_S$  (Pin 6) with respect to  $-V_S$  (Pin 5).

## ELECTRICAL CHARACTERISTICS (continued)

over operating free-air temperature range,  $V_S = 15\text{ V}$ ,  $-V_S = -15\text{ V}$ ,  $+V_{TH} = 5\text{ V}$ ,  $-V_{TH} = -5\text{ V}$ ,  $R_T = 16.7\text{ k}\Omega$ ,  $C_T = 1500\text{ pF}$ ,  $T_A = -55^\circ\text{C}$  to  $125^\circ\text{C} = T_J$  (unless otherwise noted).

PARAMETER	TEST CONDITIONS	MIN	TYP	MAX	UNIT
<b>OUTPUT SECTION</b>					
Output low level	$I_{SINK} = 20\text{ mA}$		-14.9	-13	V
	$I_{SINK} = 100\text{ mA}$		-14.5	-13	
Output high level	$I_{SOURCE} = 20\text{ mA}$	13	13.5		V
	$I_{SOURCE} = 100\text{ mA}$	12	13.5		
Rise time	$C_L = 1\text{ nF}$ , $T_J = 25^\circ\text{C}^{(4)}$		100	600	ns
Fall time	$C_L = 1\text{ nF}$ , $T_J = 25^\circ\text{C}^{(4)}$		100	300	ns

(4) Parameters ensured by design and/or characterization, if not production tested.

## FUNCTIONAL DESCRIPTION

The following is a description of each of the functional blocks shown in the Functional Block Diagram.

### Oscillator

The oscillator consists of two comparators, a charging and discharging current source, a current source set terminal,  $I_{SET}$ , and a flip-flop. The upper and lower threshold of the oscillator waveform is set externally by applying a voltage at pins  $+V_{TH}$  and  $-V_{TH}$  respectively. The  $+V_{TH}$  terminal voltage is buffered internally and also applied to the ISET terminal to develop the capacitor charging current through  $R_T$ . If  $R_T$  is referenced to  $-V_S$  as shown in Figure 1, both the threshold voltage and charging current will vary proportionally to the supply differential, and the oscillator frequency will remain constant. The triangle waveform oscillator's frequency and voltage amplitude are determined by the external components using the formulas given in Figure 1.

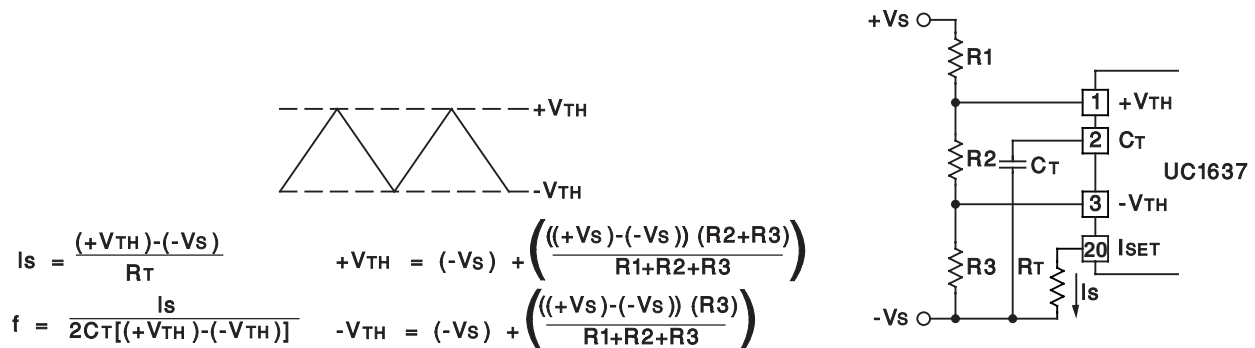


Figure 1. Oscillator Setup

## PWM Comparators

Two comparators are provided to perform pulse width modulation for each of the output drivers. Inputs are uncommitted to allow maximum flexibility. The pulse width of the outputs A and B is a function of the sign and amplitude of the error signal. A negative signal at -AIN and +BIN will lengthen the high state of output A and shorten the high state of output B. Likewise, a positive error signal reverses the procedure. Typically, the oscillator waveform is compared against the summation of the error signal and the level set on -BIN and +AIN.

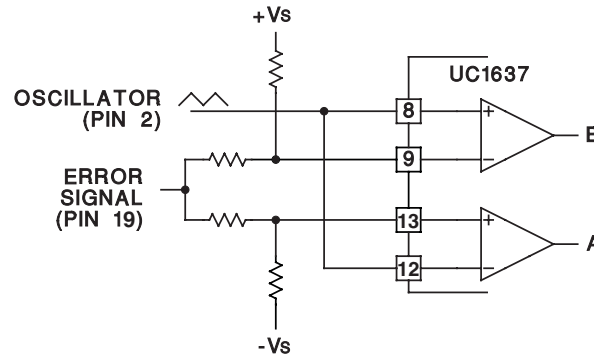


Figure 2. Comparator Biasing

## MODULATION SCHEMES

### Case A Zero Deadtime (Equal voltage on -BIN and +AIN)

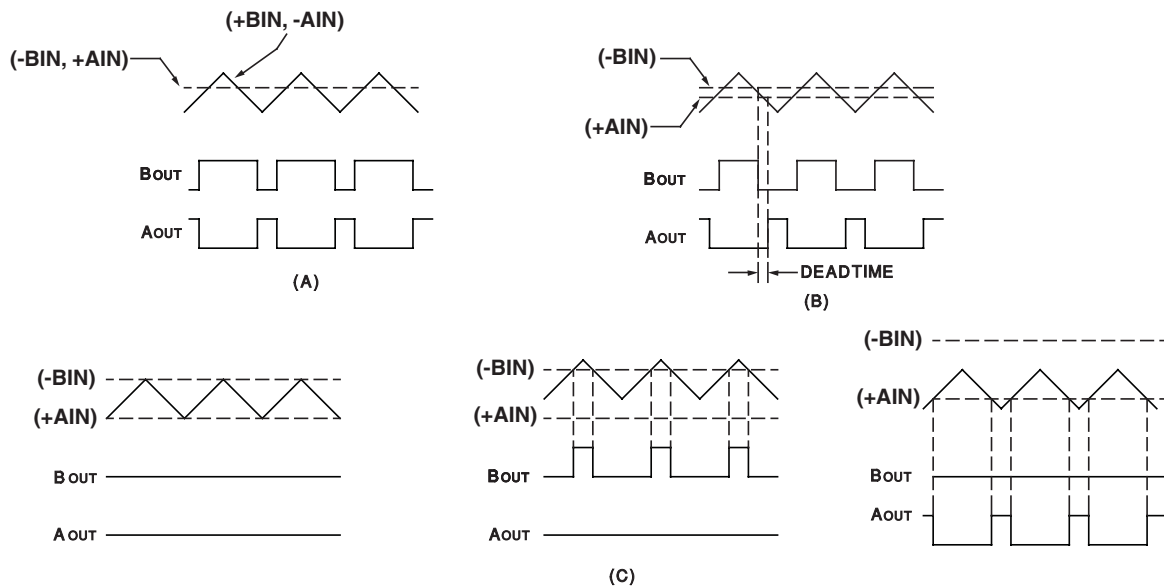
In this configuration, maximum holding torque or stiffness and position accuracy is achieved. However, the power input into the motor is increased. [Figure 3 \(A\)](#) shows this configuration.

### Case B Small Deadtime (Voltage on -BIN > +AIN)

A small differential voltage between -BIN and +AIN provides the necessary time delay to reduce the chances of momentary short circuit in the output stage during transitions, especially where power-amplifiers are used. Refer to [Figure 3 \(B\)](#).

### Case C Increased Deadtime and Deadband Mode (Voltage on -BIN > +AIN)

With the reduction of stiffness and position accuracy, the power input into the motor around the null point of the servo loop can be reduced or eliminated by widening the window of the comparator circuit to a degree of acceptance. Where position accuracy and mechanical stiffness is unimportant, deadband operation can be used. This is shown in [Figure 3 \(C\)](#).



**Figure 3. Modulation Schemes Showing (A) Zero Deadtime, (B) Deadtime and (C) Deadband Configurations**

### Output Drivers

Each output driver is capable of both sourcing and sinking 100 mA steady state and up to 500 mA on a pulsed basis for rapid switching of either POWERFET or bipolar transistors. Output levels are typically  $-V_S+0.2$  V at 50 mA low level and  $+V_S-2$  V at 50 mA high level.

### Error Amplifier

The error amplifier consists of a high slew rate (15 V/ $\mu$ s) op-amp with a typical 1-MHz bandwidth and low output impedance. Depending on the  $\pm V_S$  supply voltage, the common mode range and the voltage output swing is within 2 V of the  $V_S$  supply.

### Under-Voltage Lockout

An under-voltage lockout circuit holds the outputs in the low state until a minimum of 4 V is reached. At this point, all internal circuitry is functional and the output drivers are enabled. If external circuitry requires a higher starting voltage, an over-riding voltage can be programmed through the shutdown terminal as shown in [Figure 4](#).

### Shutdown Comparator

The shutdown terminal may be used for implementing various shutdown and protection schemes. By pulling the terminal more than 2.5 V below  $V_{IN}$ , the output drivers will be enabled. This can be realized using an open collector gate or NPN transistor biased to either ground or the negative supply. Since the threshold is temperature stabilized, the comparator can be used as an accurate low voltage lockout ([Figure 4](#)) and/or delayed start as in [Figure 5](#). In the shutdown mode the outputs are held in the low state.

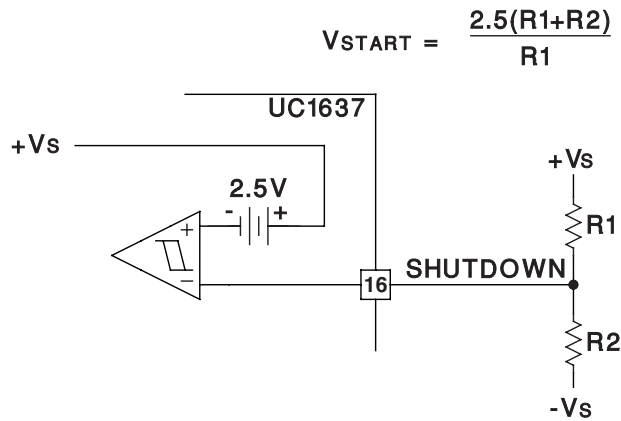


Figure 4. External Under-Voltage Lockout

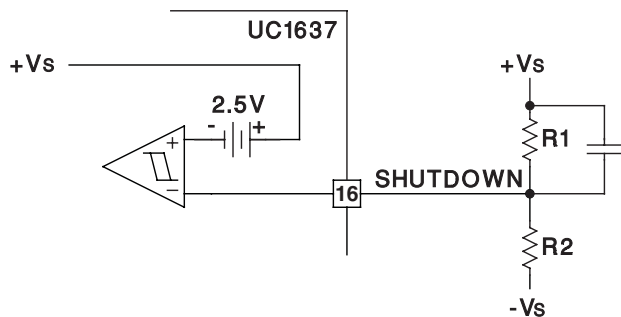


Figure 5. Delayed Start-up

### Current Limit

A latched current limit amplifier with an internal 200-mV offset is provided to allow pulse-by-pulse current limiting. Differential inputs will accept common mode signals from  $-V_S$  to within 3 V of the  $+V_S$  supply while providing excellent noise rejection. Figure 6 shows a typical current sense circuit.

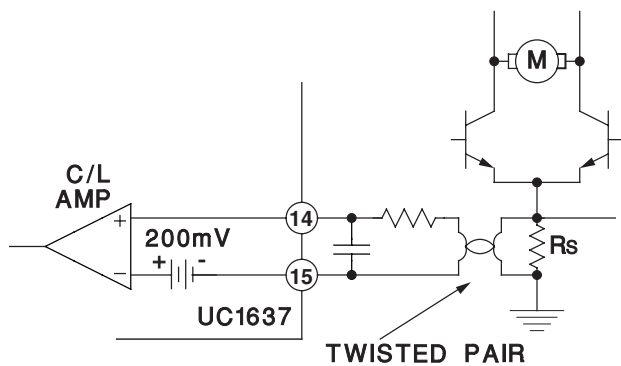


Figure 6. Current Limit Sensing

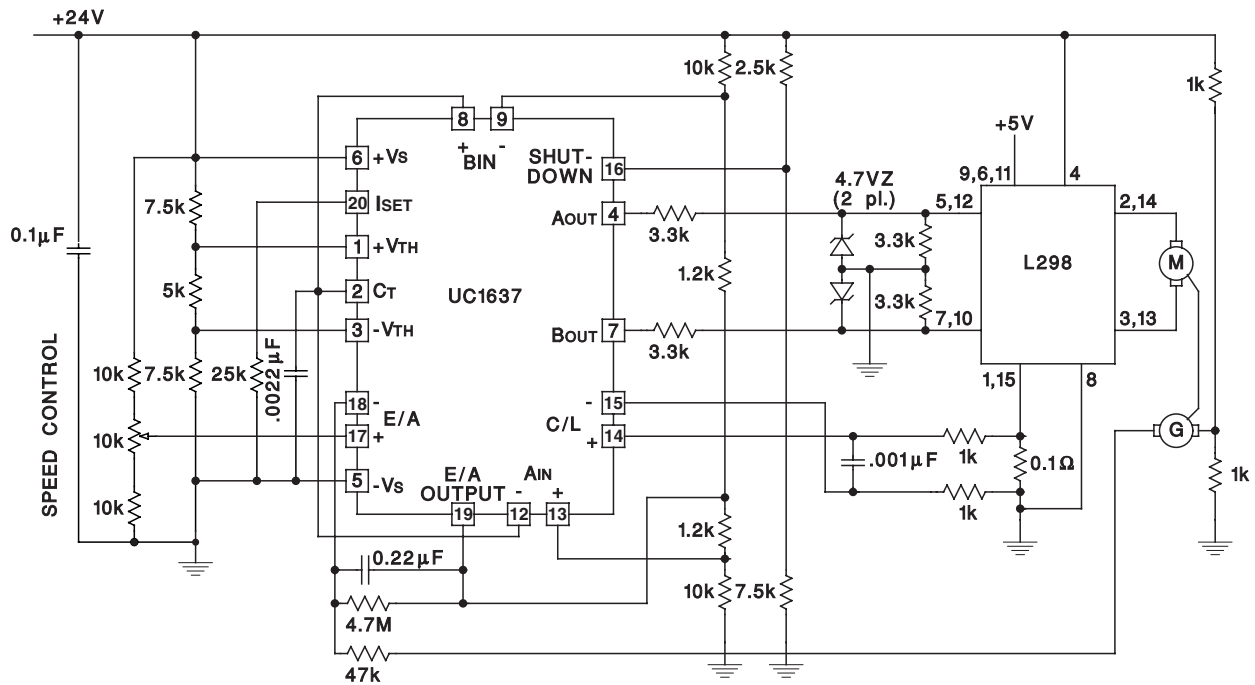


Figure 7. Bi-Directional Motor Drive With Speed Control Power-Amplifier

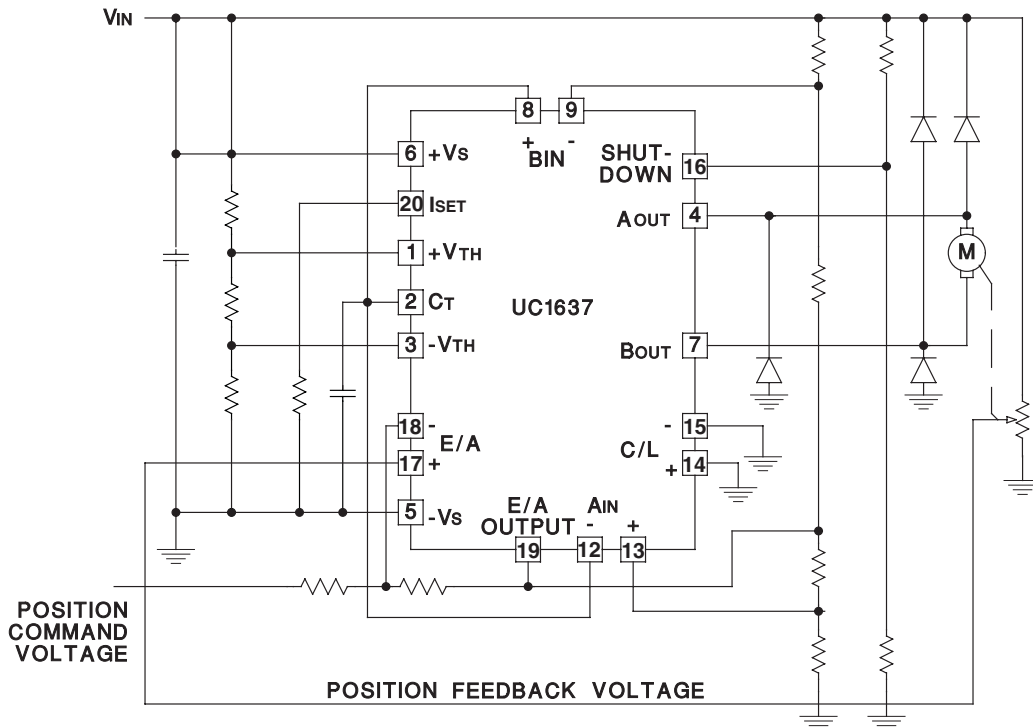



Figure 8. Single Supply Position Servo Motor Drive



**PACKAGING INFORMATION**

Orderable Device	Status (1)	Package Type	Package Drawing	Pins	Package Qty	Eco Plan (2)	Lead finish/ Ball material (6)	MSL Peak Temp (3)	Op Temp (°C)	Device Marking (4/5)	Samples
5962-8995701VSA	ACTIVE	CFP	W	20	1	Non-RoHS & Green	SNPB	N / A for Pkg Type	-55 to 125	5962-8995701VS A UC1637W-SP	

(1) The marketing status values are defined as follows:

**ACTIVE:** Product device recommended for new designs.

**LIFEBUY:** TI has announced that the device will be discontinued, and a lifetime-buy period is in effect.

**NRND:** Not recommended for new designs. Device is in production to support existing customers, but TI does not recommend using this part in a new design.

**PREVIEW:** Device has been announced but is not in production. Samples may or may not be available.

**OBSOLETE:** TI has discontinued the production of the device.

(2) **RoHS:** TI defines "RoHS" to mean semiconductor products that are compliant with the current EU RoHS requirements for all 10 RoHS substances, including the requirement that RoHS substance do not exceed 0.1% by weight in homogeneous materials. Where designed to be soldered at high temperatures, "RoHS" products are suitable for use in specified lead-free processes. TI may reference these types of products as "Pb-Free".

**RoHS Exempt:** TI defines "RoHS Exempt" to mean products that contain lead but are compliant with EU RoHS pursuant to a specific EU RoHS exemption.

**Green:** TI defines "Green" to mean the content of Chlorine (Cl) and Bromine (Br) based flame retardants meet JS709B low halogen requirements of <=1000ppm threshold. Antimony trioxide based flame retardants must also meet the <=1000ppm threshold requirement.

(3) MSL, Peak Temp. - The Moisture Sensitivity Level rating according to the JEDEC industry standard classifications, and peak solder temperature.

(4) There may be additional marking, which relates to the logo, the lot trace code information, or the environmental category on the device.

(5) Multiple Device Markings will be inside parentheses. Only one Device Marking contained in parentheses and separated by a "~" will appear on a device. If a line is indented then it is a continuation of the previous line and the two combined represent the entire Device Marking for that device.

(6) Lead finish/Ball material - Orderable Devices may have multiple material finish options. Finish options are separated by a vertical ruled line. Lead finish/Ball material values may wrap to two lines if the finish value exceeds the maximum column width.

**Important Information and Disclaimer:**The information provided on this page represents TI's knowledge and belief as of the date that it is provided. TI bases its knowledge and belief on information provided by third parties, and makes no representation or warranty as to the accuracy of such information. Efforts are underway to better integrate information from third parties. TI has taken and continues to take reasonable steps to provide representative and accurate information but may not have conducted destructive testing or chemical analysis on incoming materials and chemicals. TI and TI suppliers consider certain information to be proprietary, and thus CAS numbers and other limited information may not be available for release.

In no event shall TI's liability arising out of such information exceed the total purchase price of the TI part(s) at issue in this document sold by TI to Customer on an annual basis.

**OTHER QUALIFIED VERSIONS OF UC1637-SP :**

- Catalog: [UC1637](#)

## NOTE: Qualified Version Definitions:

- Catalog - TI's standard catalog product

W (R-GDFP-F20)

CERAMIC DUAL FLATPACK



- NOTES:
- A. All linear dimensions are in inches (millimeters).
  - B. This drawing is subject to change without notice.
  - C. This package can be hermetically sealed with a ceramic lid using glass frit.
  - D. Index point is provided on cap for terminal identification only.
  - E. Falls within Mil-Std 1835 GDFP2-F20

## IMPORTANT NOTICE AND DISCLAIMER

TI PROVIDES TECHNICAL AND RELIABILITY DATA (INCLUDING DATASHEETS), DESIGN RESOURCES (INCLUDING REFERENCE DESIGNS), APPLICATION OR OTHER DESIGN ADVICE, WEB TOOLS, SAFETY INFORMATION, AND OTHER RESOURCES "AS IS" AND WITH ALL FAULTS, AND DISCLAIMS ALL WARRANTIES, EXPRESS AND IMPLIED, INCLUDING WITHOUT LIMITATION ANY IMPLIED WARRANTIES OF MERCHANTABILITY, FITNESS FOR A PARTICULAR PURPOSE OR NON-INFRINGEMENT OF THIRD PARTY INTELLECTUAL PROPERTY RIGHTS.

These resources are intended for skilled developers designing with TI products. You are solely responsible for (1) selecting the appropriate TI products for your application, (2) designing, validating and testing your application, and (3) ensuring your application meets applicable standards, and any other safety, security, or other requirements. These resources are subject to change without notice. TI grants you permission to use these resources only for development of an application that uses the TI products described in the resource. Other reproduction and display of these resources is prohibited. No license is granted to any other TI intellectual property right or to any third party intellectual property right. TI disclaims responsibility for, and you will fully indemnify TI and its representatives against, any claims, damages, costs, losses, and liabilities arising out of your use of these resources.

TI's products are provided subject to TI's Terms of Sale (<https://www.ti.com/legal/termsofsale.html>) or other applicable terms available either on [ti.com](https://www.ti.com) or provided in conjunction with such TI products. TI's provision of these resources does not expand or otherwise alter TI's applicable warranties or warranty disclaimers for TI products.

Mailing Address: Texas Instruments, Post Office Box 655303, Dallas, Texas 75265  
Copyright © 2021, Texas Instruments Incorporated