

# LP3869x-ADJ/Q1 500mA 低压降 CMOS 线性稳压器

## 使用陶瓷输出电容器可保持稳定

### 1 特性

- 宽输入电压范围：2.7V 至 10V
- 所有超薄型小外形尺寸无引线封装 (WSON) 选项均作为 AEC-Q100 1 级器件可用
- 输出电压范围：1.25V 至 9V
- 2% 调节 (ADJ) 引脚电压精度 (25°C)
- 低压降电压：500mA 时为 250mV (5V 输出典型值)
- 精密 (已调整) 带隙基准
- 可保证 -40°C 至 +125°C 温度范围内的技术规格
- 1μA 关闭状态静态电流
- 热过载保护
- 折返电流限制
- 接地 (GND) 引脚电流：满载时为 55μA (典型值)
- 使能 (EN) 引脚 (LP38693-ADJ)

### 2 应用范围

- 硬盘驱动器
- 笔记本电脑
- 电池供电设备
- 便携式仪表

### 3 说明

LP3869x-ADJ 低压降 CMOS 线性稳压器具有精度为 2% 的基准电压和极低降压 (在负载电流为 500mA、 $V_{OUT} = 5V$  时为 250mV)，并且采用超低等效串联电阻 (ESR) 陶瓷输出电容，可提供出色的交流性能。

此稳压器采用低热阻的 WSON 和 SOT-223 封装，即使在周围温度较高的环境下也可实现满电流运行。

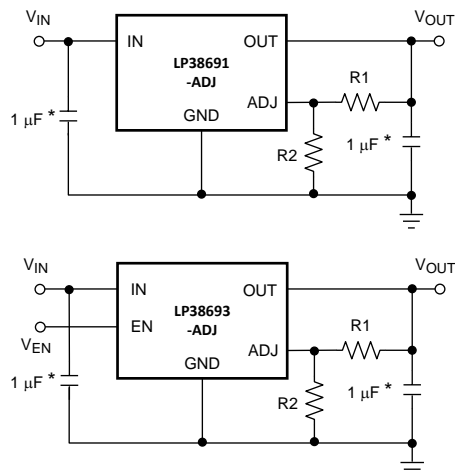
P 型金属氧化物半导体 (PMOS) 功率晶体管的使用意味着无需直流基极驱动电流对其进行偏置，因此无论负载电流、输入电压或者运行温度为何，接地引脚电流均可保持在 100μA 以下。

器件信息<sup>(1)</sup>

| 器件型号        | 封装          | 封装尺寸 (标称值)      |
|-------------|-------------|-----------------|
| LP38691-ADJ | WSON (6)    | 3.00mm × 3.00mm |
| LP38693-ADJ | SOT-223 (5) | 6.50mm × 3.56mm |
|             | WSON (6)    | 3.00mm × 3.00mm |

(1) 要了解所有可用封装，请见数据表末尾的可订购产品附录。

典型应用电路



$$V_{OUT} = V_{ADJ} \times (1 + R1/R2)$$

\* 稳定状态下的最小值



## 目录

|  |   |
|--|---|
| <ul style="list-style-type: none"> <li>1 特性 ..... 1</li> <li>2 应用范围 ..... 1</li> <li>3 说明 ..... 1</li> <li>4 修订历史记录 ..... 2</li> <li>5 <b>Pin Configuration and Functions</b> ..... 3</li> <li>6 <b>Specifications</b> ..... 4           <ul style="list-style-type: none"> <li>6.1 Absolute Maximum Ratings ..... 4</li> <li>6.2 ESD Ratings: LP38691-ADJ, LP38693-ADJ ..... 4</li> <li>6.3 ESD Ratings: LP38691-ADJ-Q1, LP38693-ADJ-Q1 ..... 4</li> <li>6.4 Recommended Operating Conditions ..... 4</li> <li>6.5 Thermal Information ..... 4</li> <li>6.6 Electrical Characteristics ..... 5</li> <li>6.7 Typical Characteristics ..... 6</li> </ul> </li> <li>7 <b>Detailed Description</b> ..... 11           <ul style="list-style-type: none"> <li>7.1 Overview ..... 11</li> <li>7.2 Functional Block Diagrams ..... 11</li> <li>7.3 Feature Description ..... 12</li> </ul> </li> </ul> | <ul style="list-style-type: none"> <li>7.4 Device Functional Modes ..... 12</li> <li>8 <b>Application and Implementation</b> ..... 13           <ul style="list-style-type: none"> <li>8.1 Application Information ..... 13</li> <li>8.2 Typical Applications ..... 13</li> </ul> </li> <li>9 <b>Power Supply Recommendations</b> ..... 18</li> <li>10 <b>Layout</b> ..... 18           <ul style="list-style-type: none"> <li>10.1 Layout Guidelines ..... 18</li> <li>10.2 Layout Examples ..... 18</li> <li>10.3 WSON Mounting ..... 19</li> </ul> </li> <li>11 <b>器件和文档支持</b> ..... 20           <ul style="list-style-type: none"> <li>11.1 文档支持 ..... 20</li> <li>11.2 相关链接 ..... 20</li> <li>11.3 社区资源 ..... 20</li> <li>11.4 商标 ..... 20</li> <li>11.5 静电放电警告 ..... 20</li> <li>11.6 Glossary ..... 20</li> </ul> </li> <li>12 <b>机械、封装和可订购信息</b> ..... 20</li> </ul> |
|--|---|

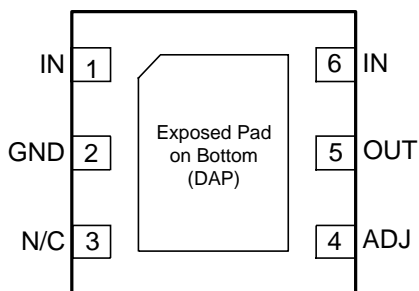
## 4 修订历史记录

注：之前版本的页码可能与当前版本有所不同。

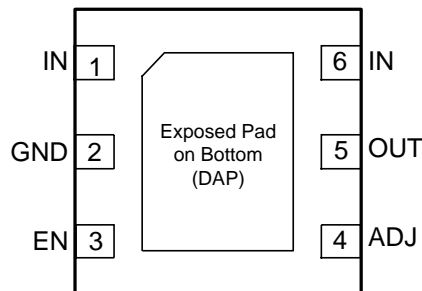
| Changes from Revision J (October 2015) to Revision K   | Page     |
|--|----------|
| <ul style="list-style-type: none"> <li>• Added Caution note to <i>Foldback Current Limiting</i> subsection ..... 12</li> </ul>   | 12       |
| Changes from Revision I (April 2013) to Revision J   | Page     |
| <ul style="list-style-type: none"> <li>• 已添加 器件信息和引脚配置与功能部分, ESD 额定值表, 已更新; 已添加特性描述, 器件功能模式, 应用和实施, 电源相关建议, 布局, 器件和文档支持以及机械、封装和可订购信息部分; 已将文本和图片中的 Vin、Vout 和 Ven 引脚名更新为 IN、OUT 和 EN; 已修正说明中的文字冗余问题; 已为参考设计添加顶部导航图标。 ..... 1</li> </ul> | 1        |
| Changes from Revision H (April 2013) to Revision I   | Page     |
| <ul style="list-style-type: none"> <li>• Changed layout of National Data Sheet to TI format ..... 15</li> <li>• Changed layout of National Data Sheet to TI format ..... 19</li> </ul>   | 15<br>19 |

## 5 Pin Configuration and Functions

**NGG Package**  
6-Pin WSON With Exposed Thermal Pad  
LP38691-ADJ Top View

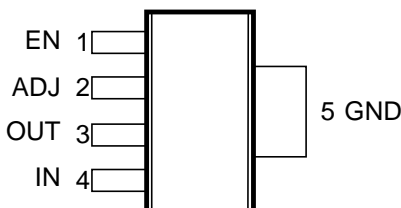


**NGG Package**  
6-Pin WSON With Exposed Thermal Pad  
LP38693-ADJ Top View



NC - No internal connection

**NDC Package**  
5-Pin SOT-223  
LP38693-ADJ Top View



### Pin Functions

| NAME | PIN                 |                     |                        | I/O | DESCRIPTION   |
|------|---------------------|---------------------|------------------------|-----|---|
|      | LP38691-ADJ<br>WSON | LP38693-ADJ<br>WSON | LP38693-ADJ<br>SOT-223 |     |   |
| DAP  | √                   | √                   | —                      | —   | WSON Only - The DAP (exposed pad) functions as a thermal connection when soldered to a copper plane. See <a href="#">WSON Mounting</a> section for more information.          |
| EN   | —                   | 3                   | 1                      | I   | The EN pin allows the part to be turned to an ON or OFF state by pulling this pin high or low.  |
| GND  | 2                   | 2                   | 5                      | —   | Circuit ground for the regulator. For the SOT-223 package this is thermally connected to the die and functions as a heat sink when the soldered down to a large copper plane. |
| IN   | 1, 6                | 1, 6                | 4                      | I   | This is the input supply voltage to the regulator. For WSON devices, both IN pins must be tied together for full current operation (250 mA maximum per pin).                  |
| N/C  | 3                   | —                   | —                      | —   | No internal connection.   |
| ADJ  | 4                   | 4                   | 2                      | O   | The ADJ pin is used to set the regulated output voltage by connecting it to the external resistors R1 and R2 (see <a href="#">典型应用电路</a> ).                                   |
| OUT  | 5                   | 5                   | 3                      | I   | Regulated output voltage.   |

## 6 Specifications

### 6.1 Absolute Maximum Ratings

over operating free-air temperature range (unless otherwise noted)<sup>(1)(2)</sup>

|  | MIN                | MAX | UNIT |
|--|--------------------|-----|------|
| $V_{(MAX)}$ All pins (with respect to GND) | -0.3               | 12  | V    |
| $I_{OUT}^{(3)}$                            | Internally limited |     | V    |
| Power dissipation <sup>(4)</sup>           | Internally limited |     | V    |
| Junction temperature                       | -40                | 150 | °C   |
| Storage temperature, $T_{stg}$             | -65                | 150 |      |

- (1) Stresses beyond those listed under *Absolute Maximum Ratings* may cause permanent damage to the device. These are stress ratings only, which do not imply functional operation of the device at these or any other conditions beyond those indicated under *Recommended Operating Conditions*. Exposure to absolute-maximum-rated conditions for extended periods may affect device reliability.
- (2) If Military/Aerospace specified devices are required, contact the Texas Instruments Sales Office/ Distributors for availability and specifications.
- (3) If used in a dual-supply system where the regulator load is returned to a negative supply, the OUT pin must be diode clamped to ground.
- (4) At elevated temperatures, device power dissipation must be derated based on package thermal resistance and heatsink values (if a heatsink is used). When using the WSON package, refer to *Leadless Leadframe Package (LLP) (SNOA401)* and the *WSON Mounting* section in this data sheet. If power dissipation causes the junction temperature to exceed specified limits, the device will go into thermal shutdown.

### 6.2 ESD Ratings: LP38691-ADJ, LP38693-ADJ

|   | VALUE | UNIT |
|---|-------|------|
| $V_{(ESD)}$ Electrostatic discharge Human-body model (HBM), per ANSI/ESDA/JEDEC JS-001 <sup>(1)</sup> | ±2000 | V    |

- (1) JEDEC document JEP155 states that 500-V HBM allows safe manufacturing with a standard ESD control process.

### 6.3 ESD Ratings: LP38691-ADJ-Q1, LP38693-ADJ-Q1

|   | VALUE | UNIT |
|---|-------|------|
| $V_{(ESD)}$ Electrostatic discharge Human-body model (HBM), per AEC Q100-002 <sup>(1)</sup> | 2000  | V    |

- (1) AEC Q100-002 indicates that HBM stressing shall be in accordance with the ANSI/ESDA/JEDEC JS-001 specification.

### 6.4 Recommended Operating Conditions

|                                | MIN | NOM | MAX | UNIT |
|--------------------------------|-----|-----|-----|------|
| $V_{IN}$ supply voltage        | 2.7 |     | 10  | V    |
| Operating junction temperature | -40 |     | 125 | °C   |

### 6.5 Thermal Information

| THERMAL METRIC <sup>(1)</sup>  | LP3869x-ADJ | LP38693-ADJ         | UNIT |
|--|-------------|---------------------|------|
|  | WSON        | SOT-223             |      |
|  | 6 PINS      | 5 PINS              |      |
| $R_{\theta JA}^{(2)}$ Junction-to-ambient thermal resistance, High-K | 50.6        | 68.5 <sup>(3)</sup> | °C/W |
| $R_{\theta JC(top)}$ Junction-to-case (top) thermal resistance       | 44.4        | 52.2                |      |
| $R_{\theta JB}$ Junction-to-board thermal resistance                 | 24.9        | 13.0                |      |
| $\Psi_{JT}$ Junction-to-top characterization parameter               | 0.4         | 5.5                 |      |
| $\Psi_{JB}$ Junction-to-board characterization parameter             | 25.1        | 12.8                |      |
| $R_{\theta JC(bot)}$ Junction-to-case (bottom) thermal resistance    | 5.4         | n/a                 |      |

- (1) For more information about traditional and new thermal metrics, see the *Semiconductor and IC Package Thermal Metrics* application report, [SPRA953](#).
- (2) Thermal resistance value  $R_{\theta JA}$  is based on the EIA/JEDEC High-K printed circuit board defined by: JESD51-7 - *High Effective Thermal Conductivity Test Board for Leaded Surface Mount Packages*.
- (3) The PCB for the WSON (NGN) package  $R_{\theta JA}$  includes thermal vias under the exposed thermal pad per EIA/JEDEC JESD51-5.

## 6.6 Electrical Characteristics

Unless otherwise specified, limits apply for  $T_J = 25^\circ\text{C}$ ,  $V_{IN} = V_{OUT} + 1\text{ V}$ ,  $C_{IN} = C_{OUT} = 10\ \mu\text{F}$ ,  $I_{LOAD} = 10\ \text{mA}$ . Minimum and maximum limits are specified through testing, statistical correlation, or design.

| PARAMETER                      |   | TEST CONDITIONS   | MIN                  | TYP <sup>(1)</sup> | MAX   | UNIT                           |
|--------------------------------|---|---|----------------------|--------------------|-------|--------------------------------|
| $V_{ADJ}$                      | ADJ pin voltage                               | $V_{IN} = 2.7\text{ V}$   | 1.225                | 1.25               | 1.275 | V                              |
|                                |   | $3.2\text{ V} \leq V_{IN} \leq 10\text{ V}$ , $100\ \mu\text{A} < I_L < 0.5\text{ A}$                                     |                      | 1.25               |       |                                |
|                                |   | $3.2\text{ V} \leq V_{IN} \leq 10\text{ V}$ , $100\ \mu\text{A} < I_L < 0.5\text{ A}$<br>Full operating temperature range | 1.2                  |                    | 1.3   |                                |
| $\Delta V_{OUT}/\Delta V_{IN}$ | Output voltage line regulation <sup>(2)</sup> | $V_{OUT} + 0.5\text{ V} \leq V_{IN} \leq 10\text{ V}$<br>$I_L = 25\text{ mA}$   |                      | 0.03               |       | %V                             |
|                                |   | $V_{OUT} + 0.5\text{ V} \leq V_{IN} \leq 10\text{ V}$<br>$I_L = 25\text{ mA}$<br>Full operating temperature range         |                      |                    | 0.1   |                                |
| $\Delta V_{OUT}/\Delta I_L$    | Output voltage load regulation <sup>(3)</sup> | $1\text{ mA} < I_L < 0.5\text{ A}$<br>$V_{IN} = V_{OUT} + 1\text{ V}$   |                      | 1.8                |       | %A                             |
|                                |   | $1\text{ mA} < I_L < 0.5\text{ A}$<br>$V_{IN} = V_{OUT} + 1\text{ V}$<br>Full operating temperature range                 |                      |                    | 5     |                                |
| $V_{DO}$                       | Dropout voltage <sup>(4)</sup>                | $(V_{OUT} = 2.5\text{ V})$  | $I_L = 0.1\text{ A}$ |                    | 80    | mV                             |
|                                |   |   | $I_L = 0.5\text{ A}$ |                    | 430   |                                |
|                                |   | $(V_{OUT} = 2.5\text{ V})$<br>Full operating temperature range  | $I_L = 0.1\text{ A}$ |                    | 145   |                                |
|                                |   |   | $I_L = 0.5\text{ A}$ |                    | 725   |                                |
|                                |   | $(V_{OUT} = 3.3\text{ V})$  | $I_L = 0.1\text{ A}$ |                    | 65    |                                |
|                                |   |   | $I_L = 0.5\text{ A}$ |                    | 330   |                                |
|                                |   | $(V_{OUT} = 3.3\text{ V})$<br>Full operating temperature range  | $I_L = 0.1\text{ A}$ |                    | 110   |                                |
|                                |   |   | $I_L = 0.5\text{ A}$ |                    | 550   |                                |
|                                |   | $(V_{OUT} = 5\text{ V})$  | $I_L = 0.1\text{ A}$ |                    | 45    |                                |
|                                |   |   | $I_L = 0.5\text{ A}$ |                    | 250   |                                |
|                                |   | $(V_{OUT} = 5\text{ V})$<br>Full operating temperature range  | $I_L = 0.1\text{ A}$ |                    | 100   |                                |
|                                |   |   | $I_L = 0.5\text{ A}$ |                    | 450   |                                |
| $I_Q$                          | Quiescent current                             | $V_{IN} \leq 10\text{ V}$ , $I_L = 100\ \mu\text{A} - 0.5\text{ A}$   |                      | 55                 |       | $\mu\text{A}$                  |
|                                |   | $V_{IN} \leq 10\text{ V}$ , $I_L = 100\ \mu\text{A} - 0.5\text{ A}$<br>Full operating temperature range                   |                      |                    | 100   |                                |
|                                |   | $V_{EN} \leq 0.4\text{ V}$ , (LP38693 Only)   |                      | 0.001              | 1     |                                |
| $I_{L(MIN)}$                   | Minimum load current                          | $V_{IN} - V_{OUT} \leq 4\text{ V}$<br>Full operating temperature range  |                      |                    | 100   |                                |
| $I_{FB}$                       | Foldback current limit                        | $V_{IN} - V_{OUT} > 5\text{ V}$   |                      | 350                |       | mA                             |
|                                |   | $V_{IN} - V_{OUT} < 4\text{ V}$   |                      | 850                |       |                                |
| PSRR                           | Ripple rejection                              | $V_{IN} = V_{OUT} + 2\text{ V(DC)}$ , with $1\text{ V(p-p)}$ / $120\text{-Hz}$ Ripple                                     |                      | 55                 |       | dB                             |
| $T_{SD}$                       | Thermal shutdown activation (junction temp)   |   |                      | 160                |       | $^\circ\text{C}$               |
| $T_{SD(HYST)}$                 | Thermal shutdown hysteresis (junction temp)   |   |                      | 10                 |       |                                |
| $I_{ADJ}$                      | ADJ input leakage current                     | $V_{ADJ} = 0\text{ V to }1.5\text{ V}$ , $V_{IN} = 10\text{ V}$   | -100                 | 0.01               | 100   | nA                             |
| $e_n$                          | Output noise                                  | $BW = 10\text{ Hz to }10\text{ kHz}$<br>$V_{OUT} = 3.3\text{ V}$  |                      | 0.7                |       | $\mu\text{V}/\sqrt{\text{Hz}}$ |
| $V_{OUT(LEAK)}$                | Output leakage current                        | $V_{OUT} = V_{OUT(NOM)} + 1\text{ V}$ at $10\text{ V}_{IN}$   |                      | 0.5                | 2     | $\mu\text{A}$                  |

(1) Typical numbers represent the most likely parametric norm for  $25^\circ\text{C}$  operation.

(2) Output voltage line regulation is defined as the change in output voltage from nominal value resulting from a change in input voltage.

(3) Output voltage load regulation is defined as the change in output voltage from nominal value as the load current increases from  $1\text{ mA}$  to full load.

(4) Dropout voltage is defined as the minimum input to output differential required to maintain the output within  $100\text{ mV}$  of nominal value.

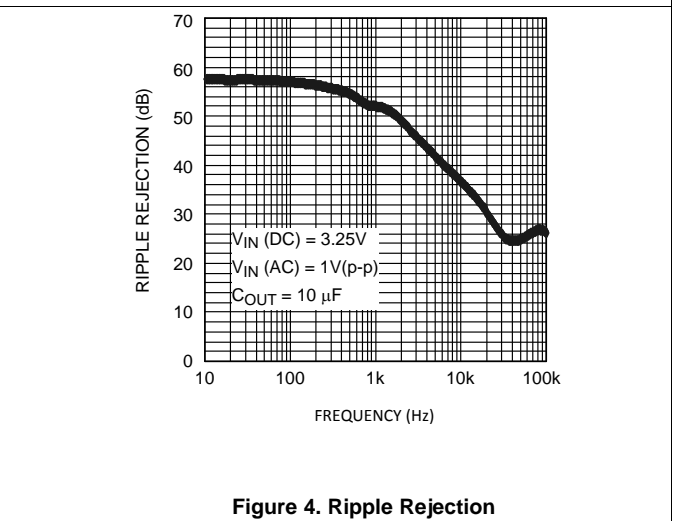
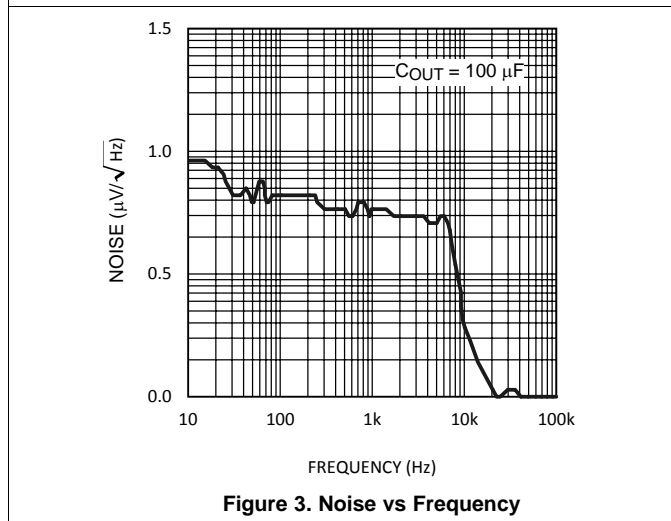
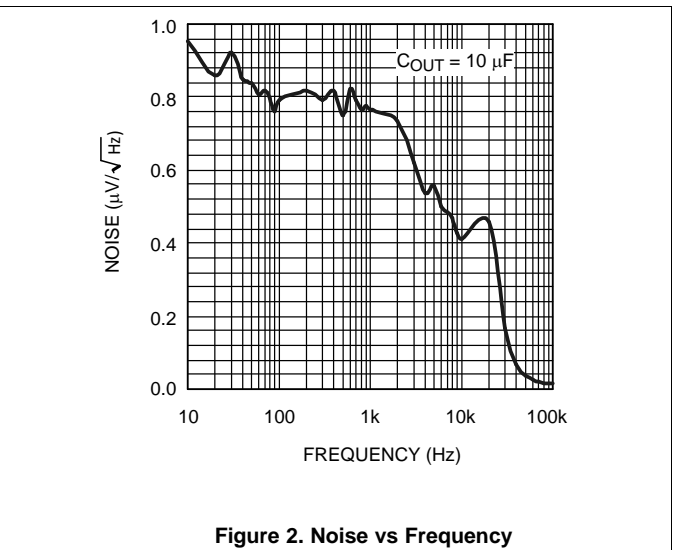
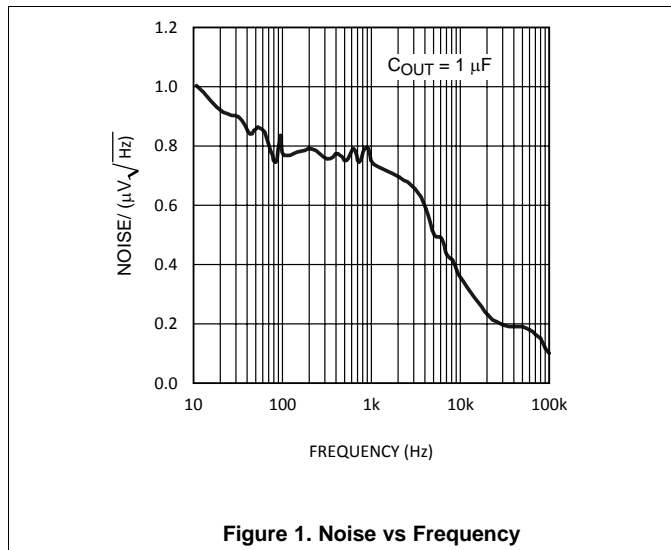
### Electrical Characteristics (continued)

Unless otherwise specified, limits apply for  $T_J = 25^\circ\text{C}$ ,  $V_{IN} = V_{OUT} + 1\text{ V}$ ,  $C_{IN} = C_{OUT} = 10\ \mu\text{F}$ ,  $I_{LOAD} = 10\text{ mA}$ . Minimum and maximum limits are specified through testing, statistical correlation, or design.

| PARAMETER | TEST CONDITIONS   | MIN   | TYP <sup>(1)</sup> | MAX   | UNIT |               |
|-----------|---|---|--------------------|-------|------|---------------|
| $V_{EN}$  | Output = OFF state<br>Full operating temperature range                        |   |                    | 0.4   | V    |               |
|           | Output = ON state, $V_{IN} = 4\text{ V}$<br>Full operating temperature range  | 1.8   |                    |       |      |               |
|           | Output = ON state, $V_{IN} = 6\text{ V}$<br>Full operating temperature range  | 3   |                    |       |      |               |
|           | Output = ON state, $V_{IN} = 10\text{ V}$<br>Full operating temperature range | 4   |                    |       |      |               |
| $I_{EN}$  | EN pin leakage<br>(LP38693 only)  | $V_{EN} = 0\text{ V}$ or $10\text{ V}$ , $V_{IN} = 10\text{ V}$ | -1                 | 0.001 | 1    | $\mu\text{A}$ |

### 6.7 Typical Characteristics

Unless otherwise specified:  $T_J = 25^\circ\text{C}$ ,  $C_{IN} = C_{OUT} = 10\ \mu\text{F}$ , EN pin is tied to IN (LP38693-ADJ only),  $V_{OUT} = 1.25\text{ V}$ ,  $V_{IN} = V_{OUT} + 1\text{ V}$ ,  $I_{LOAD} = 10\text{ mA}$ .



Typical Characteristics (continued)

Unless otherwise specified:  $T_J = 25^\circ\text{C}$ ,  $C_{IN} = C_{OUT} = 10\ \mu\text{F}$ , EN pin is tied to IN (LP38693-ADJ only),  $V_{OUT} = 1.25\ \text{V}$ ,  $V_{IN} = V_{OUT} + 1\ \text{V}$ ,  $I_{LOAD} = 10\ \text{mA}$ .

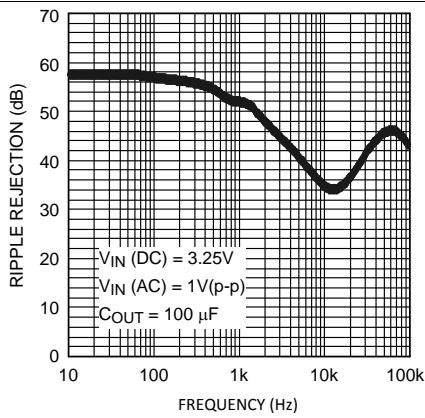


Figure 5. Ripple Rejection

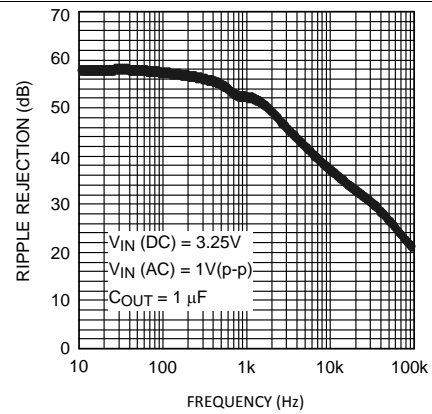


Figure 6. Ripple Rejection

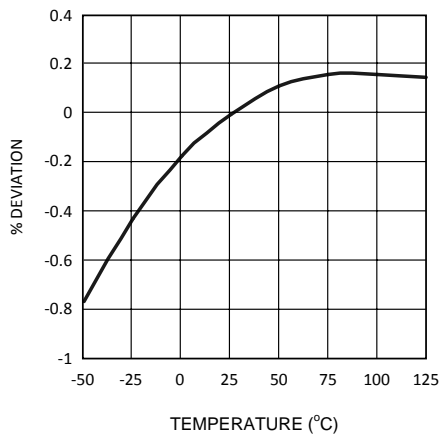


Figure 7.  $V_{REF}$  vs Temperature

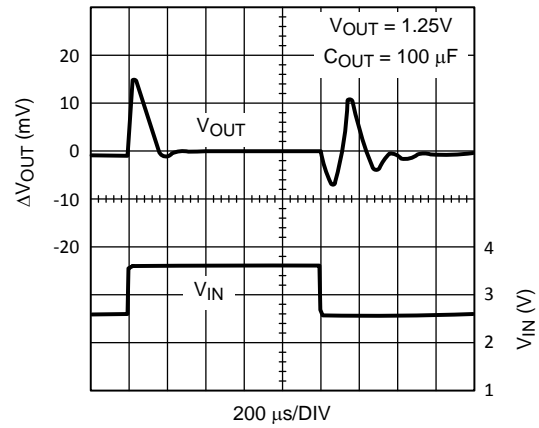


Figure 8. Line Transient Response

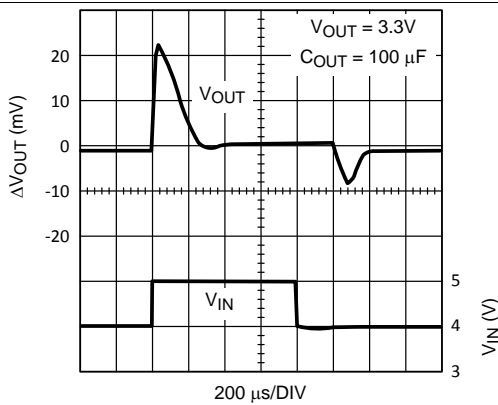


Figure 9. Line Transient Response

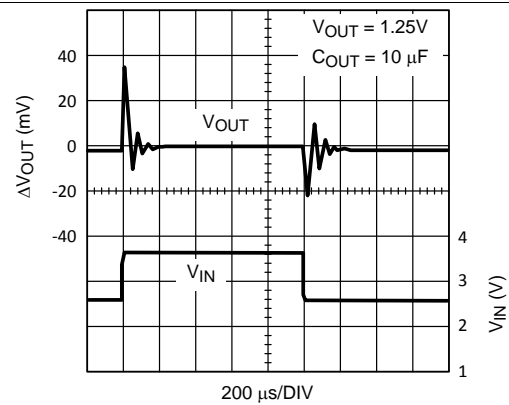
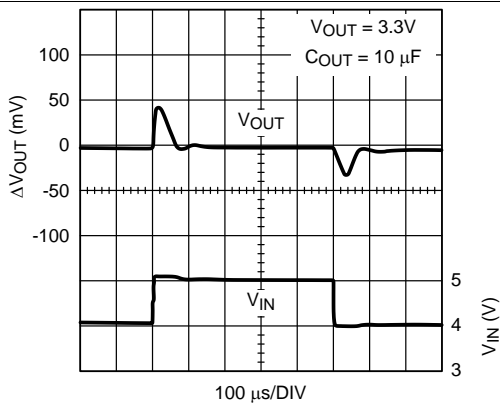
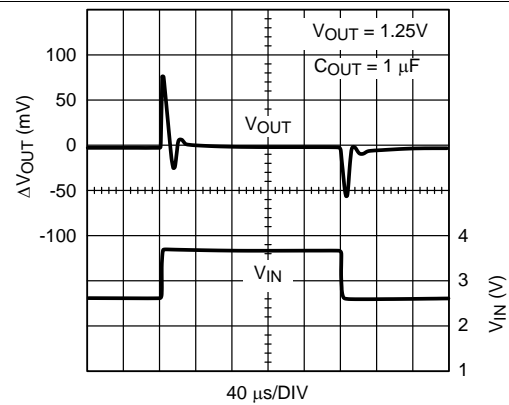
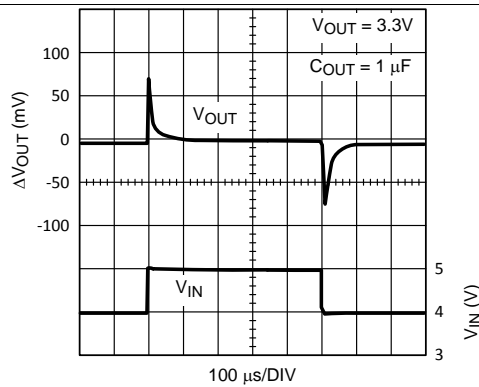
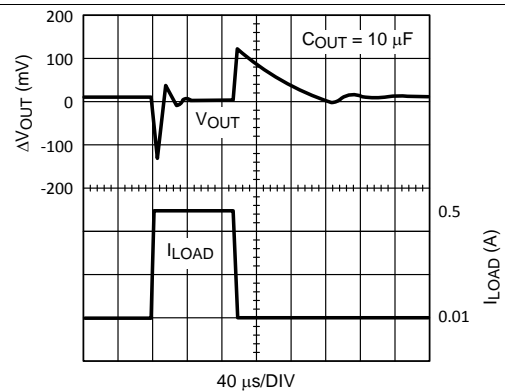
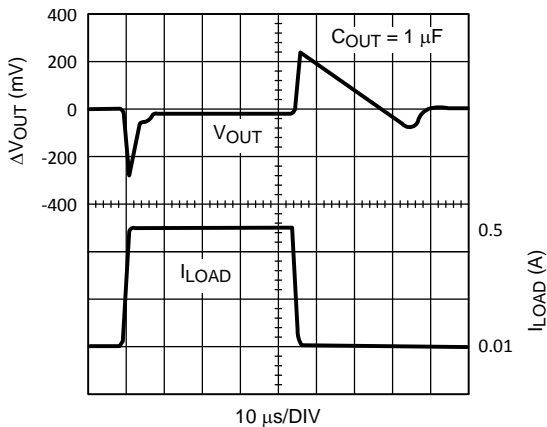
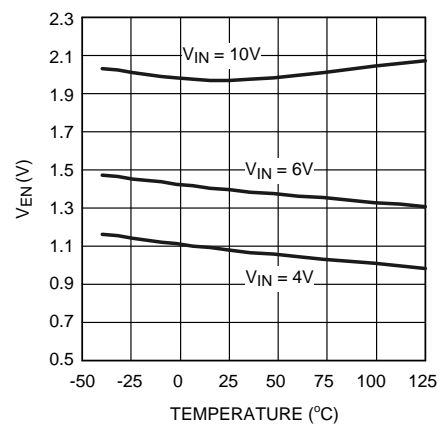


Figure 10. Line Transient Response

**Typical Characteristics (continued)**

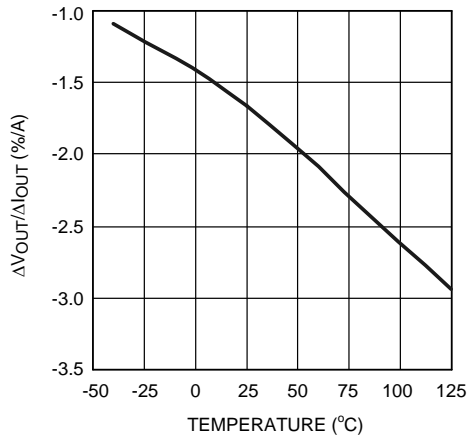
Unless otherwise specified:  $T_J = 25^\circ\text{C}$ ,  $C_{IN} = C_{OUT} = 10\ \mu\text{F}$ , EN pin is tied to IN (LP38693-ADJ only),  $V_{OUT} = 1.25\ \text{V}$ ,  $V_{IN} = V_{OUT} + 1\ \text{V}$ ,  $I_{LOAD} = 10\ \text{mA}$ .


**Figure 11. Line Transient Response**

**Figure 12. Line Transient Response**

**Figure 13. Line Transient Response**

**Figure 14. Load Transient Response**

**Figure 15. Load Transient Response**

**Figure 16. EN Voltage vs Temperature**

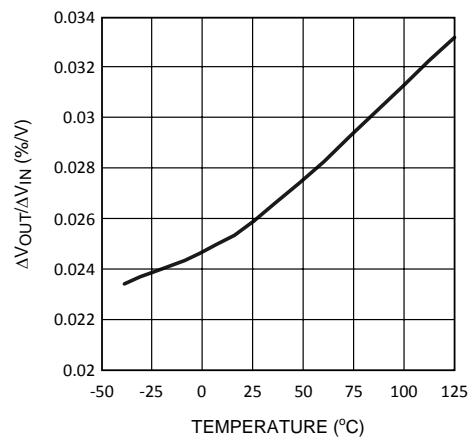


**Typical Characteristics (continued)**

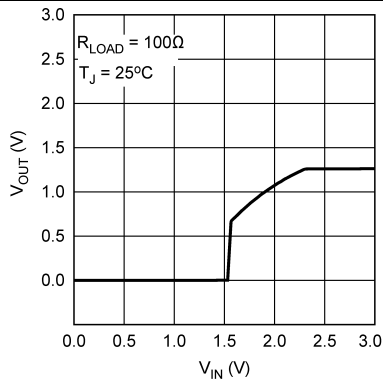
Unless otherwise specified:  $T_J = 25^\circ\text{C}$ ,  $C_{IN} = C_{OUT} = 10\ \mu\text{F}$ , EN pin is tied to IN (LP38693-ADJ only),  $V_{OUT} = 1.25\ \text{V}$ ,  $V_{IN} = V_{OUT} + 1\ \text{V}$ ,  $I_{LOAD} = 10\ \text{mA}$ .



**Figure 17. Load Regulation vs Temperature**

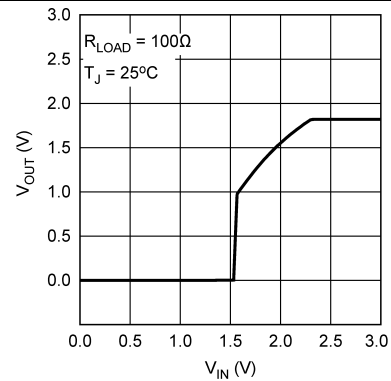


**Figure 18. Line Regulation vs Temperature**



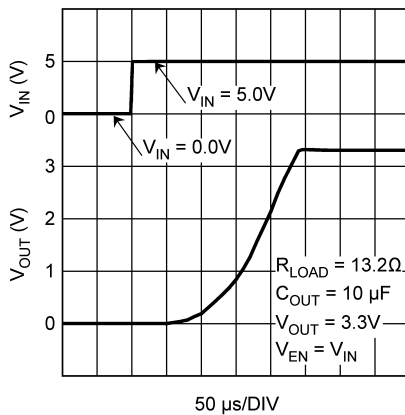
$V_{OUT} = 1.25\ \text{V}$

**Figure 19.  $V_{OUT}$  vs  $V_{IN}$**

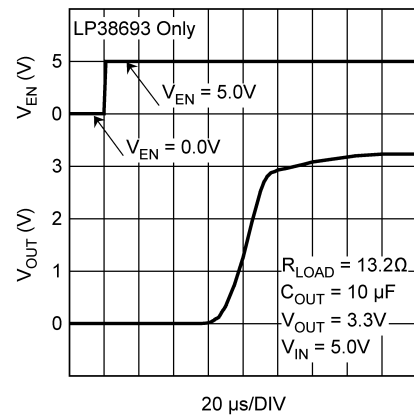


$V_{OUT} = 1.8\ \text{V}$

**Figure 20.  $V_{OUT}$  vs  $V_{IN}$**



**Figure 21.  $V_{OUT}$  vs.  $V_{IN}$ , Power-up**



**Figure 22.  $V_{OUT}$  vs.  $V_{EN}$ , On (LP38693-ADJ only)**

### Typical Characteristics (continued)

Unless otherwise specified:  $T_J = 25^\circ\text{C}$ ,  $C_{IN} = C_{OUT} = 10\ \mu\text{F}$ , EN pin is tied to IN (LP38693-ADJ only),  $V_{OUT} = 1.25\ \text{V}$ ,  $V_{IN} = V_{OUT} + 1\ \text{V}$ ,  $I_{LOAD} = 10\ \text{mA}$ .

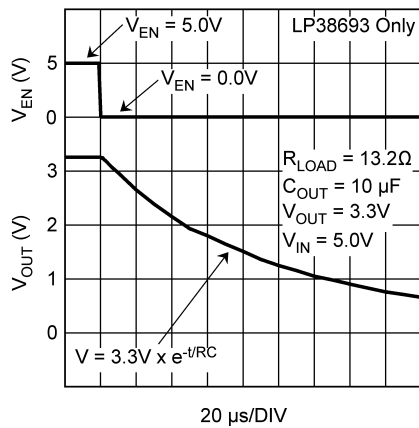


Figure 23.  $V_{OUT}$  vs.  $V_{EN}$ , Off (LP38693-ADJ only)

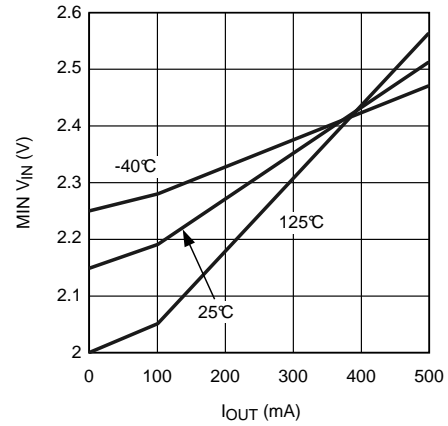
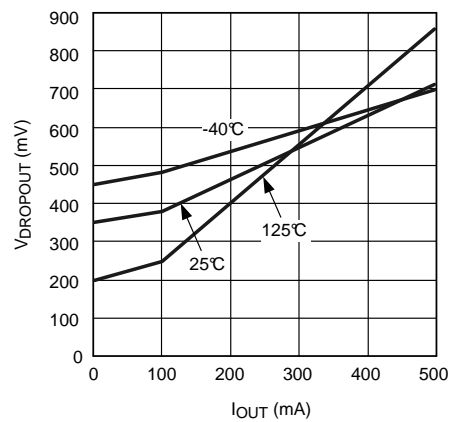


Figure 24. MIN  $V_{OUT}$  vs.  $I_{OUT}$



$V_{OUT} = 1.8\ \text{V}$

Figure 25. Dropout Voltage vs.  $I_{OUT}$

## 7 Detailed Description

### 7.1 Overview

The LP3869x-ADJ devices are designed to meet the requirements of portable, battery-powered digital systems providing an accurate output voltage with fast start-up. When disabled via a low logic signal at the enable pin (EN), the power consumption is reduced to virtually zero (LP38693-ADJ only).

These LP3869x-ADJ devices perform well with a single 1- $\mu$ F input capacitor and a single 1- $\mu$ F ceramic output capacitor.

### 7.2 Functional Block Diagrams

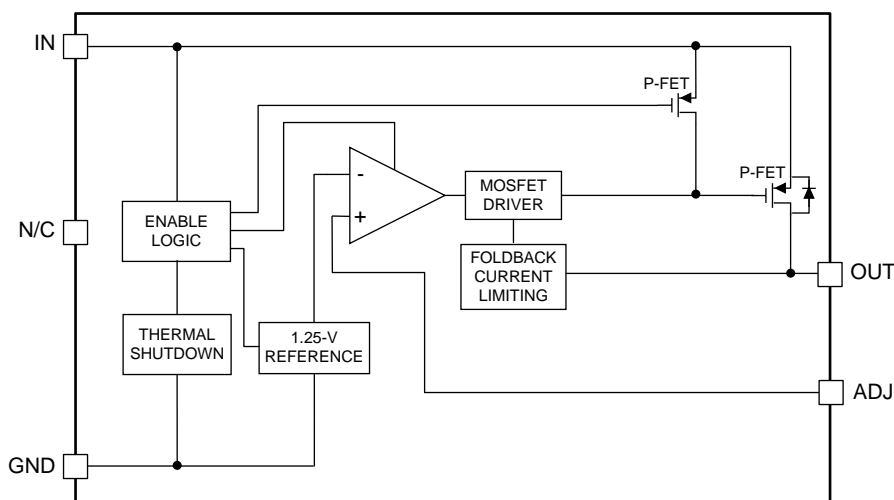


Figure 26. LP38691 Functional Diagram (WSON)

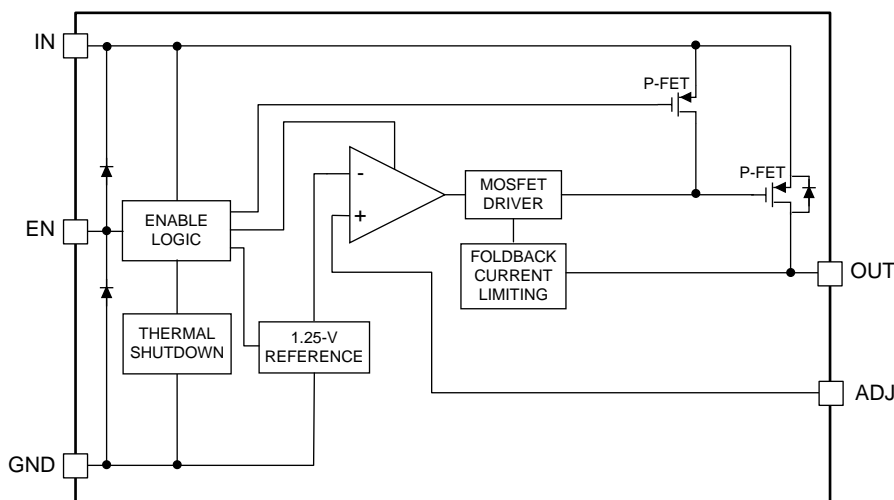


Figure 27. LP38693 Functional Diagram (SOT-223, WSON)

## 7.3 Feature Description

### 7.3.1 Enable (EN)

The LP38693-ADJ has an enable pin (EN) which allows an external control signal to turn the regulator output to either an ON or OFF state. The Enable on/off threshold has no hysteresis. The voltage signal must rise and fall cleanly, and promptly, through the on and off voltage thresholds. The EN pin voltage must be higher than the  $V_{EN(MIN)}$  threshold to ensure that the device is fully enabled under all operating conditions. The EN pin voltage must be lower than the  $V_{EN(MAX)}$  threshold to ensure that the device is fully disabled. The EN pin has no internal pullup or pulldown to establish a default condition and, as a result, this pin must be terminated either actively or passively. If the EN pin is driven from a source that actively pulls high and low, the drive voltage should not be allowed to go below ground potential or higher than  $V_{IN}$ . If the application does not require the enable function, the EN pin should be connected directly to the IN pin.

### 7.3.2 Thermal Overload Protection ( $T_{SD}$ )

Thermal shutdown disables the output when the junction temperature rises to approximately 160°C which allows the device to cool. When the junction temperature cools to approximately 150°C, the output circuitry enables.

Based on power dissipation, thermal resistance, and ambient temperature, the thermal protection circuit may cycle on and off. This thermal cycling limits the dissipation of the regulator and protects it from damage as a result of overheating. The  $T_{SD}$  circuitry of the LP38693 has been designed to protect against temporary thermal overload conditions.

The  $T_{SD}$  circuitry was not intended to replace proper heat-sinking. Continuously running the LP38693 device into thermal shutdown degrades device reliability.

### 7.3.3 Foldback Current Limiting

Foldback current limiting is built into the LP3869x-ADJ devices which reduces the amount of output current the part can deliver as the output voltage is reduced. The amount of load current is dependent on the differential voltage between the  $V_{IN}$  and  $V_{OUT}$ . Typically, when this differential voltage exceeds 5 V, the load current will limit at about 350 mA. When the  $V_{IN} - V_{OUT}$  differential is reduced below 4 V, load current is limited to about 850 mA.

#### CAUTION

When toggling the LP38693 Enable (EN) after the input voltage ( $V_{IN}$ ) is applied, the foldback current limit circuitry is functional the first time that the EN pin is taken high. The foldback current limit circuitry is non-functional the second, and subsequent, times that the EN pin is taken high. Depending on the input and output capacitance values the input inrush current may be higher than expected which can cause the input voltage to droop.

If the EN pin is connected to the IN pin, the foldback current limit circuitry is functional when  $V_{IN}$  is applied if  $V_{IN}$  starts from less than 0.4 V.

## 7.4 Device Functional Modes

### 7.4.1 Enable (EN)

The LP38693-ADJ may be switched to the ON or OFF state by logic input at the EN pin. A logic-high voltage on the EN pin turns the device to the ON state. A logic-low voltage on the EN pin turns the device to the OFF state. If the application does not require the shutdown feature, the EN pin must be tied to  $V_{IN}$  to keep the regulator output permanently in the ON state when power is applied.

To ensure proper operation, the signal source used to drive the EN input must be able to swing above and below the specified turnon or turnoff voltage thresholds listed in the [Electrical Characteristics](#) section under  $V_{EN}$ .

## 8 Application and Implementation

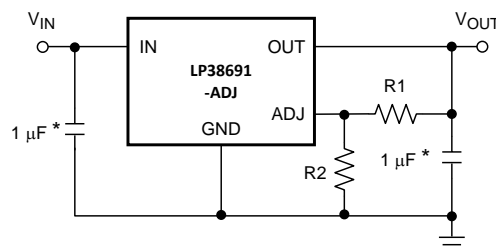
### NOTE

Information in the following applications sections is not part of the TI component specification, and TI does not warrant its accuracy or completeness. TI's customers are responsible for determining suitability of components for their purposes. Customers should validate and test their design implementation to confirm system functionality.

### 8.1 Application Information

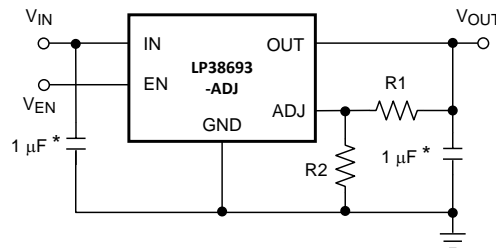
The LP3869x-ADJ can provide 500 mA output current with 2.7 V to 10 V input. Adjustable output voltage in the range of 1.25 V to 9 V. LP3869x-ADJ is stable with a 1- $\mu$ F ceramic output capacitor. Typical output noise is 0.7  $\mu$ V<sub>RMS</sub> at frequencies from 10 Hz to 10 kHz. Typical PSSR is 55 dB at 1 kHz.

### 8.2 Typical Applications



\* Minimum value required for stability

**Figure 28. LP38691-ADJ Typical Application**



\* Minimum value required for stability

**Figure 29. LP38693-ADJ Typical Application**

#### 8.2.1 Design Requirements

For typical LDO CMOS linear regulators, use the parameters listed in [Table 1](#).

**Table 1. Design Parameters**

| DESIGN PARAMETERS      | EXAMPLE VALUE    |
|------------------------|------------------|
| Input voltage range    | 2.7 V to 10 V    |
| Output range           | Adjustable       |
| Output current         | 500 mA (maximum) |
| Output capacitor range | 1 $\mu$ F        |

## 8.2.2 Detailed Design Procedure

### 8.2.2.1 Setting the Output Voltage

The output voltage is set using the external resistors R1 and R2 (see [Typical Applications](#) . The output voltage will be given by [Equation 1](#):

$$V_{\text{OUT}} = V_{\text{ADJ}} \times (1 + (R1 / R2)) \quad (1)$$

Because the part has a minimum load current requirement of 100  $\mu\text{A}$ , it is recommended that R2 always be 12 k $\Omega$  or less to provide adequate loading. Even if a minimum load is always provided by other means, it is not recommended that very high value resistors be used for R1 and R2 because it can make the ADJ node susceptible to noise pickup. A maximum Ohmic value of 100 k $\Omega$  is recommended for R2 to prevent this from occurring.

### 8.2.2.2 External Capacitors

In common with most regulators, the LP3869x-ADJ devices require an external capacitors for regulator stability. The devices are specifically designed for portable applications requiring minimum board space and smallest components. These capacitors must be correctly selected for good performance.

### 8.2.2.3 Input Capacitor

An input capacitor of at least 1  $\mu\text{F}$  is required (ceramic recommended). The capacitor must be located not more than one centimeter from the input pin and returned to a clean analog ground.

### 8.2.2.4 Output Capacitor

An output capacitor is required for loop stability. It must be located less than 1 centimeter from the device and connected directly to the output and ground pins using traces which have no other currents flowing through them.

The minimum amount of output capacitance that can be used for stable operation is 1  $\mu\text{F}$ . Ceramic capacitors are recommended; the LP3869x-ADJ devices were designed for use with ultra-low equivalent series resistance (ESR) capacitors. The LP3869x-ADJ is stable with any output capacitor ESR between 5 m $\Omega$  to 500 m $\Omega$ .

### 8.2.2.5 Capacitor Characteristics

It is important that capacitance tolerance and variation with temperature be taken into consideration when selecting a capacitor so that the minimum required amount of capacitance is provided over the full operating temperature range.

#### 8.2.2.5.1 Ceramic Capacitors

For values of capacitance in the 10- to 100- $\mu\text{F}$  range, ceramics are usually larger and more costly than tantalums but give superior AC performance for bypassing high frequency noise because of very low ESR (typically less than 10 m $\Omega$ ). However, some dielectric types do not have good capacitance characteristics as a function of voltage and temperature.

The LP3869x-ADJ is designed to work with ceramic capacitors on the output to take advantage of the benefits they offer. For capacitance values in the range of 0.47  $\mu\text{F}$  to 4.7  $\mu\text{F}$ , ceramic capacitors are the smallest, least expensive and have the lowest ESR values, thus making them best for eliminating high frequency noise. The ESR of a typical 1- $\mu\text{F}$  ceramic capacitor is in the range of 20 m $\Omega$  to 40 m $\Omega$ , which easily meets the ESR requirement for stability for the LP3869x.

Z5U and Y5V dielectric ceramics have capacitance that drops severely with applied voltage. A typical Z5U or Y5V capacitor can lose 60% of its rated capacitance with half of the rated voltage applied to it. The Z5U and Y5V also exhibit a severe temperature effect, losing more than 50% of nominal capacitance at high and low limits of the temperature range.

X7R and X5R dielectric ceramic capacitors are strongly recommended if ceramics are used, as they typically maintain a capacitance range within  $\pm 20\%$  of nominal over full operating ratings of temperature and voltage. Of course, they are typically larger and more costly than Z5U/Y5U types for a given voltage and capacitance.

### 8.2.2.5.2 Tantalum Capacitors

Solid tantalum capacitors have good temperature stability: a high-quality tantalum capacitor typically shows a capacitance value that varies less than 10-15% across the full temperature range of -40°C to 125°C. ESR will vary only about 2× going from the high to low temperature limits.

The increasing ESR at lower temperatures can cause oscillations when marginal quality capacitors are used (if the ESR of the capacitor is near the upper limit of the stability range at room temperature).

### 8.2.2.6 RFI/EMI Susceptibility

Radio frequency interference (RFI) and electromagnetic interference (EMI) can degrade the performance of any integrated circuit because of the small dimensions of the geometries inside the device. In applications where circuit sources are present which generate signals with significant high frequency energy content (> 1 MHz), care must be taken to ensure that this does not affect the device regulator.

If RFI/EMI noise is present on the input side of the regulator (such as applications where the input source comes from the output of a switching regulator), good ceramic bypass capacitors must be used at the input pin of the device.

If a load is connected to the device output which switches at high speed (such as a clock), the high-frequency current pulses required by the load must be supplied by the capacitors on the device output. Because the bandwidth of the regulator loop is less than 100 kHz, the control circuitry cannot respond to load changes above that frequency. This means the effective output impedance of the device at frequencies above 100 kHz is determined only by the output capacitors.

In applications where the load is switching at high speed, the output of the device may need RF isolation from the load. It is recommended that some inductance be placed between the output capacitor and the load, and good RF bypass capacitors be placed directly across the load.

PCB layout is also critical in high noise environments, because RFI/EMI is easily radiated directly into PC traces. Noisy circuitry should be isolated from *clean* circuits where possible, and grounded through a separate path. At MHz frequencies, ground planes begin to look inductive and RFI/EMI can cause ground bounce across the ground plane. In multi-layer PCB applications, care should be taken in layout so that noisy power and ground planes do not radiate directly into adjacent layers which carry analog power and ground.

### 8.2.2.7 Output Noise

Noise is specified in two ways:

- Spot Noise or Output Noise Density is the RMS sum of all noise sources, measured at the regulator output, at a specific frequency (measured with a 1-Hz bandwidth). This type of noise is usually plotted on a curve as a function of frequency.
- Total Output Noise or Broad-Band Noise is the RMS sum of spot noise over a specified bandwidth, usually several decades of frequencies.

Attention should be paid to the units of measurement. Spot noise is measured in units  $\mu V\sqrt{Hz}$  or  $nV\sqrt{Hz}$ , and total output noise is measured in  $\mu V_{RMS}$ .

The primary source of noise in low-dropout regulators is the internal reference. Noise can be reduced in two ways: by increasing the transistor area or by increasing the current drawn by the internal reference. Increasing the area will decrease the chance of fitting the die into a smaller package. Increasing the current drawn by the internal reference increases the total supply current (GND pin current).

### 8.2.2.8 Power Dissipation

Knowing the device power dissipation and proper sizing of the thermal plane connected to the tab or pad is critical to ensuring reliable operation. Device power dissipation depends on input voltage, output voltage, and load conditions and can be calculated with [Equation 2](#).

$$P_{D(MAX)} = (V_{IN(MAX)} - V_{OUT}) \times I_{OUT(MAX)} \quad (2)$$

Power dissipation can be minimized, and greater efficiency can be achieved, by using the lowest available voltage drop option that would still be greater than the dropout voltage ( $V_{DO}$ ). However, keep in mind that higher voltage drops result in better dynamic (that is, PSRR and transient) performance.

On the WSON (DRV) package, the primary conduction path for heat is through the exposed power pad to the PCB. To ensure the device does not overheat, connect the exposed pad, through thermal vias, to an internal ground plane with an appropriate amount of copper PCB area .

On the VSSOP (DGK) and SOT-223 (NDC) packages, the primary conduction path for heat is through the pins to the PCB.

The maximum allowable junction temperature ( $T_{J(MAX)}$ ) determines maximum power dissipation allowed ( $P_{D(MAX)}$ ) for the device package.

Power dissipation and junction temperature are most often related by the junction-to-ambient thermal resistance ( $R_{\theta JA}$ ) of the combined PCB and device package and the temperature of the ambient air ( $T_A$ ), according to [Equation 3](#) or [Equation 4](#):

$$T_{J(MAX)} = T_{A(MAX)} + (R_{\theta JA} \times P_{D(MAX)}) \quad (3)$$

$$P_{D(MAX)} = (T_{J(MAX)} - T_{A(MAX)}) / R_{\theta JA} \quad (4)$$

Unfortunately, this  $R_{\theta JA}$  is highly dependent on the heat-spreading capability of the particular PCB design, and therefore varies according to the total copper area, copper weight, and location of the planes. The  $R_{\theta JA}$  recorded in [Thermal Information](#) is determined by the specific EIA/JEDEC JESD51-7 standard for PCB and copper-spreading area, and is to be used only as a relative measure of package thermal performance. For a well-designed thermal layout,  $R_{\theta JA}$  is actually the sum of the package junction-to-case (bottom) thermal resistance ( $R_{\theta JCBOT}$ ) plus the thermal resistance contribution by the PCB copper area acting as a heat sink.

### 8.2.2.9 Estimating Junction Temperature

The EIA/JEDEC standard recommends the use of psi ( $\Psi$ ) thermal characteristics to estimate the junction temperatures of surface mount devices on a typical PCB board application. These characteristics are not true thermal resistance values, but rather package specific thermal characteristics that offer practical and relative means of estimating junction temperatures. These psi metrics are determined to be significantly independent of copper-spreading area. The key thermal characteristics ( $\Psi_{JT}$  and  $\Psi_{JB}$ ) are given in [Thermal Information](#) and are used in accordance with [Equation 5](#) or [Equation 6](#).

$$T_{J(MAX)} = T_{TOP} + (\Psi_{JT} \times P_{D(MAX)})$$

where

- $P_{D(MAX)}$  is explained in [Equation 2](#).
- $T_{TOP}$  is the temperature measured at the center-top of the device package. (5)

$$T_{J(MAX)} = T_{BOARD} + (\Psi_{JB} \times P_{D(MAX)})$$

where

- $P_{D(MAX)}$  is explained in [Equation 2](#).
- $T_{BOARD}$  is the PCB surface temperature measured 1-mm from the device package and centered on the package edge. (6)

For more information about the thermal characteristics  $\Psi_{JT}$  and  $\Psi_{JB}$ , see the TI Application Report *Semiconductor and IC Package Thermal Metrics* ([SPRA953](#)), available for download at [www.ti.com](http://www.ti.com).

For more information about measuring  $T_{TOP}$  and  $T_{BOARD}$ , see the TI Application Report *Using New Thermal Metrics* ([SBVA025](#)), available for download at [www.ti.com](http://www.ti.com).

For more information about the EIA/JEDEC JESD51 PCB used for validating  $R_{\theta JA}$ , see the TI Application Report *Thermal Characteristics of Linear and Logic Packages Using JEDEC PCB Designs* ([SZZA017](#)), available for download at [www.ti.com](http://www.ti.com).



### 8.2.2.10 Reverse Voltage

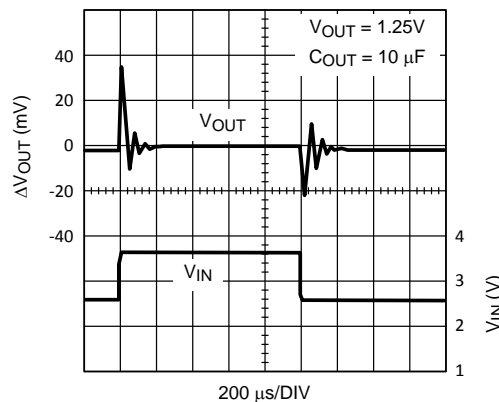
A reverse voltage condition will exist when the voltage at the OUT pin is higher than the voltage at the IN pin. Typically this will happen when  $V_{IN}$  is abruptly taken low and  $C_{OUT}$  continues to hold a sufficient charge such that the input to output voltage becomes reversed. A less common condition is when an alternate voltage source is connected to the output.

There are two possible paths for current to flow from the OUT pin back to IN during a reverse voltage condition.

1. While  $V_{IN}$  is high enough to keep the control circuitry alive, and the EN pin (LP38693-ADJ only) is above the  $V_{EN(ON)}$  threshold, the control circuitry will attempt to regulate the output voltage. If the input voltage is less than the programmed output voltage, the control circuit will drive the gate of the pass element to the full ON condition. In this condition, reverse current will flow from the OUT to the IN pin, limited only by the  $R_{DS(ON)}$  of the pass element and the output to input voltage differential. Discharging an output capacitor up to 1000  $\mu\text{F}$  in this manner will not damage the device as the current will rapidly decay. However, continuous reverse current should be avoided. When the EN pin is low, this condition will be prevented.
2. The internal PFET pass element has an inherent parasitic diode. During normal operation, the input voltage is higher than the output voltage and the parasitic diode is reverse biased. However, when  $V_{IN}$  is below the value where the control circuitry is alive, or the EN pin is low (LP38693-ADJ only), and the output voltage is more than 500 mV (typical) above the input voltage the parasitic diode becomes forward biased and current flows from the output pin to the input pin through the diode. The current in the parasitic diode should be limited to less than 1-A continuous and 5-A peak.

If used in a dual-supply system where the regulator output load is returned to a negative supply, the OUT pin must be diode clamped to ground to limit the negative voltage transition. A Schottky diode is recommended for this protective clamp.

### 8.2.3 Application Curve



**Figure 30. Line Transient Response**

## 9 Power Supply Recommendations

The LP3869x-ADJ devices are designed to operate from an input supply voltage range of 2.7 V to 10 V. The input supply should be well regulated and free of spurious noise. To ensure that the device output voltage is well regulated, input supply should be at least  $V_{OUT} + 0.5$  V, or 2.7 V, whichever is higher. A minimum capacitor value of 1- $\mu$ F is required to be within 1 cm of the IN pin.

## 10 Layout

### 10.1 Layout Guidelines

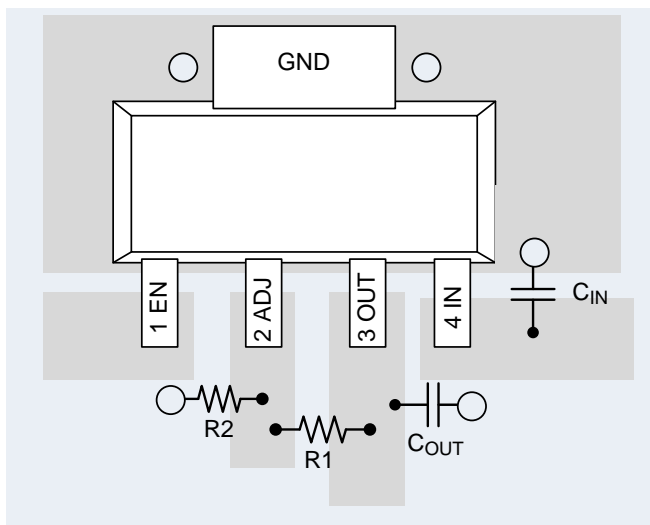
Good PC layout practices must be used or instability can be induced because of ground loops and voltage drops. The input and output capacitors must be directly connected to the input, output, and ground pins of the regulator using traces which do not have other currents flowing in them (Kelvin connect).

The best way to do this is to lay out  $C_{IN}$  and  $C_{OUT}$  near the device with short traces to the IN, OUT, and GND pins. The regulator ground pin should be connected to the external circuit ground so that the regulator and its capacitors have a "single point ground."

It should be noted that stability problems have been seen in applications where "vias" to an internal ground plane were used at the ground points of the device and the input and output capacitors. This was caused by varying ground potentials at these nodes resulting from current flowing through the ground plane. Using a single point ground technique for the regulator and its capacitors fixed the problem. Because high current flows through the traces going into  $V_{IN}$  and coming from  $V_{OUT}$ , Kelvin connect the capacitor leads to these pins so there is no voltage drop in series with the input and output capacitors.

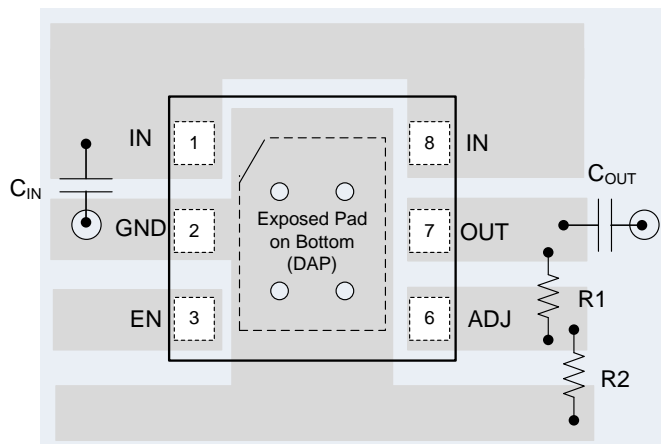
### 10.2 Layout Examples

○ VIA connect to ground layer



**Figure 31. SOT-223 Layout**

○ VIA connect to ground layer



**Figure 32. WSON LP38693 Layout**

### 10.3 WSON Mounting

The NGG0006A (No Pullback) 6-Lead WSON package requires specific mounting techniques which are detailed in the TI Application Report *Leadless Leadframe Package (LLP)* [SNOA401](#). Referring to the section *PCB Design Recommendations*, it should be noted that the pad style which should be used with the WSON package is the NSMD (non-solder mask defined) type. Additionally, it is recommended the PCB terminal pads to be 0.2 mm longer than the package pads to create a solder fillet to improve reliability and inspection.

The thermal dissipation of the WSON package is directly related to the printed circuit board construction and the amount of additional copper area connected to the DAP. The DAP (exposed pad) on the bottom of the WSON package is connected to the die substrate with a conductive die attach adhesive. The DAP has no direct electrical (wire) connection to any of the pins. There is a parasitic PN junction between the die substrate and the device ground. As such, it is strongly recommend that the DAP be connected directly to the ground at device pin 2 (GND). Alternatively, but not recommended, the DAP may be left floating (no electrical connection). The DAP must not be connected to any potential other than ground.

## 11 器件和文档支持

### 11.1 文档支持

#### 11.1.1 相关文档

相关文档如下：

- 《无引线框架封装 (LLP)》（文献编号：[SNOA401](#)）
- 《半导体和 IC 封装热指标》（[SPRA953](#)）
- 《使用新的热指标》（文献编号：[SBVA025](#)）
- 《采用 JEDEC PCB 设计的线性和逻辑封装散热特性》（[SZZA017](#)）

### 11.2 相关链接

表 2 列出了快速访问链接。范围包括技术文档、支持和社区资源、工具和软件，以及样片或购买的快速访问。

表 2. 相关链接

| 器件             | 产品文件夹                 | 样片与购买                 | 技术文档                  | 工具与软件                 | 支持与社区                 |
|----------------|-----------------------|-----------------------|-----------------------|-----------------------|-----------------------|
| LP38691-ADJ    | <a href="#">请单击此处</a> | <a href="#">请单击此处</a> | <a href="#">请单击此处</a> | <a href="#">请单击此处</a> | <a href="#">请单击此处</a> |
| LP38693-ADJ    | <a href="#">请单击此处</a> | <a href="#">请单击此处</a> | <a href="#">请单击此处</a> | <a href="#">请单击此处</a> | <a href="#">请单击此处</a> |
| LP38691-ADJ-Q1 | <a href="#">请单击此处</a> | <a href="#">请单击此处</a> | <a href="#">请单击此处</a> | <a href="#">请单击此处</a> | <a href="#">请单击此处</a> |
| LP38693-ADJ-Q1 | <a href="#">请单击此处</a> | <a href="#">请单击此处</a> | <a href="#">请单击此处</a> | <a href="#">请单击此处</a> | <a href="#">请单击此处</a> |

### 11.3 社区资源

The following links connect to TI community resources. Linked contents are provided "AS IS" by the respective contributors. They do not constitute TI specifications and do not necessarily reflect TI's views; see TI's [Terms of Use](#).

**TI E2E™ Online Community** *TI's Engineer-to-Engineer (E2E) Community*. Created to foster collaboration among engineers. At [e2e.ti.com](#), you can ask questions, share knowledge, explore ideas and help solve problems with fellow engineers.

**Design Support** *TI's Design Support* Quickly find helpful E2E forums along with design support tools and contact information for technical support.

### 11.4 商标

E2E is a trademark of Texas Instruments.

All other trademarks are the property of their respective owners.

### 11.5 静电放电警告



这些装置包含有限的内置 ESD 保护。存储或装卸时，应将导线一起截短或将装置放置于导电泡棉中，以防止 MOS 门极遭受静电损伤。

### 11.6 Glossary

[SLYZ022](#) — *TI Glossary*.

This glossary lists and explains terms, acronyms, and definitions.

## 12 机械、封装和可订购信息

以下页中包括机械、封装和可订购信息。这些信息是针对指定器件可提供的最新数据。这些数据会在无通知且不对本文档进行修订的情况下发生改变。欲获得该数据表的浏览器版本，请查阅左侧的导航栏。

## 重要声明

德州仪器(TI)及其下属子公司有权根据 JESD46 最新标准,对所提供的产品和服务进行更正、修改、增强、改进或其它更改,并有权根据 JESD48 最新标准中止提供任何产品和服务。客户在下订单前应获取最新的相关信息,并验证这些信息是否完整且是最新的。所有产品的销售都遵循在订单确认时所提供的TI 销售条款与条件。

TI 保证其所销售的组件的性能符合产品销售时 TI 半导体产品销售条件与条款的适用规范。仅在 TI 保证的范围内,且 TI 认为有必要时才会使用测试或其它质量控制技术。除非适用法律做出了硬性规定,否则没有必要对每种组件的所有参数进行测试。

TI 对应用帮助或客户产品设计不承担任何义务。客户应对其使用 TI 组件的产品和应用自行负责。为尽量减小与客户产品和应用相关的风险,客户应提供充分的设计与操作安全措施。

TI 不对任何 TI 专利权、版权、屏蔽作品权或其它与使用了 TI 组件或服务的组合设备、机器或流程相关的 TI 知识产权中授予的直接或隐含权限作出任何保证或解释。TI 所发布的与第三方产品或服务有关的信息,不能构成从 TI 获得使用这些产品或服务的许可、授权、或认可。使用此类信息可能需要获得第三方的专利权或其它知识产权方面的许可,或是 TI 的专利权或其它知识产权方面的许可。

对于 TI 的产品手册或数据表中 TI 信息的重要部分,仅在没有对内容进行任何篡改且带有相关授权、条件、限制和声明的情况下才允许进行复制。TI 对此类篡改过的文件不承担任何责任或义务。复制第三方的信息可能需要服从额外的限制条件。

在转售 TI 组件或服务时,如果对该组件或服务参数的陈述与 TI 标明的参数相比存在差异或虚假成分,则会失去相关 TI 组件或服务的所有明示或暗示授权,且这是不正当的、欺诈性商业行为。TI 对任何此类虚假陈述均不承担任何责任或义务。

客户认可并同意,尽管任何应用相关信息或支持仍可能由 TI 提供,但他们将独立负责满足与其产品及其在应用中使用的 TI 产品相关的所有法律、法规和安全相关要求。客户声明并同意,他们具备制定与实施安全措施所需的全部专业技术和知识,可预见故障的危险后果、监测故障及其后果、降低有可能造成人身伤害的故障的发生机率并采取适当的补救措施。客户将全额赔偿因在此类安全关键应用中使用任何 TI 组件而对 TI 及其代理造成的任何损失。

在某些场合中,为了推进安全相关应用有可能对 TI 组件进行特别的促销。TI 的目标是利用此类组件帮助客户设计和创立其特有的可满足适用的功能安全性标准和要求的终端产品解决方案。尽管如此,此类组件仍然服从这些条款。

TI 组件未获得用于 FDA Class III (或类似的生命攸关医疗设备)的授权许可,除非各方授权官员已经达成了专门管控此类使用的特别协议。

只有那些 TI 特别注明属于军用等级或“增强型塑料”的 TI 组件才是设计或专门用于军事/航空应用或环境的。购买者认可并同意,对并非指定面向军事或航空航天用途的 TI 组件进行军事或航空航天方面的应用,其风险由客户单独承担,并且由客户独立负责满足与此类使用相关的所有法律和法规要求。

TI 已明确指定符合 ISO/TS16949 要求的产品,这些产品主要用于汽车。在任何情况下,因使用非指定产品而无法达到 ISO/TS16949 要求, TI 不承担任何责任。

|               | 产品   |              | 应用   |
|---------------|--|--------------|--|
| 数字音频          | <a href="http://www.ti.com.cn/audio">www.ti.com.cn/audio</a>                               | 通信与电信        | <a href="http://www.ti.com.cn/telecom">www.ti.com.cn/telecom</a>             |
| 放大器和线性器件      | <a href="http://www.ti.com.cn/amplifiers">www.ti.com.cn/amplifiers</a>                     | 计算机及周边       | <a href="http://www.ti.com.cn/computer">www.ti.com.cn/computer</a>           |
| 数据转换器         | <a href="http://www.ti.com.cn/dataconverters">www.ti.com.cn/dataconverters</a>             | 消费电子         | <a href="http://www.ti.com.cn/consumer-apps">www.ti.com.cn/consumer-apps</a> |
| DLP® 产品       | <a href="http://www.dlp.com">www.dlp.com</a>   | 能源           | <a href="http://www.ti.com.cn/energy">www.ti.com.cn/energy</a>               |
| DSP - 数字信号处理器 | <a href="http://www.ti.com.cn/dsp">www.ti.com.cn/dsp</a>                                   | 工业应用         | <a href="http://www.ti.com.cn/industrial">www.ti.com.cn/industrial</a>       |
| 时钟和计时器        | <a href="http://www.ti.com.cn/clockandtimers">www.ti.com.cn/clockandtimers</a>             | 医疗电子         | <a href="http://www.ti.com.cn/medical">www.ti.com.cn/medical</a>             |
| 接口            | <a href="http://www.ti.com.cn/interface">www.ti.com.cn/interface</a>                       | 安防应用         | <a href="http://www.ti.com.cn/security">www.ti.com.cn/security</a>           |
| 逻辑            | <a href="http://www.ti.com.cn/logic">www.ti.com.cn/logic</a>                               | 汽车电子         | <a href="http://www.ti.com.cn/automotive">www.ti.com.cn/automotive</a>       |
| 电源管理          | <a href="http://www.ti.com.cn/power">www.ti.com.cn/power</a>                               | 视频和影像        | <a href="http://www.ti.com.cn/video">www.ti.com.cn/video</a>                 |
| 微控制器 (MCU)    | <a href="http://www.ti.com.cn/microcontrollers">www.ti.com.cn/microcontrollers</a>         |              |  |
| RFID 系统       | <a href="http://www.ti.com.cn/rfidsys">www.ti.com.cn/rfidsys</a>                           |              |  |
| OMAP应用处理器     | <a href="http://www.ti.com/omap">www.ti.com/omap</a>                                       |              |  |
| 无线连通性         | <a href="http://www.ti.com.cn/wirelessconnectivity">www.ti.com.cn/wirelessconnectivity</a> | 德州仪器在线技术支持社区 | <a href="http://www.deyisupport.com">www.deyisupport.com</a>                 |

邮寄地址: 上海市浦东新区世纪大道1568号, 中建大厦32楼邮政编码: 200122  
Copyright © 2016, 德州仪器半导体技术(上海)有限公司

**PACKAGING INFORMATION**

| Orderable Device     | Status<br>(1) | Package Type | Package Drawing | Pins | Package Qty | Eco Plan<br>(2)     | Lead finish/<br>Ball material<br>(6) | MSL Peak Temp<br>(3) | Op Temp (°C) | Device Marking<br>(4/5) | Samples                 |
|----------------------|---------------|--------------|-----------------|------|-------------|---------------------|--------------------------------------|----------------------|--------------|-------------------------|-------------------------|
| LP38691QSD-ADJ/NOPB  | ACTIVE        | WSON         | NGG             | 6    | 1000        | RoHS & Green        | SN                                   | Level-1-260C-UNLIM   | -40 to 125   | L251B                   | <a href="#">Samples</a> |
| LP38691QSDX-ADJ/NOPB | ACTIVE        | WSON         | NGG             | 6    | 4500        | RoHS & Green        | SN                                   | Level-1-260C-UNLIM   | -40 to 125   | L251B                   | <a href="#">Samples</a> |
| LP38691SD-ADJ        | NRND          | WSON         | NGG             | 6    | 1000        | Non-RoHS<br>& Green | Call TI                              | Call TI              | -40 to 125   | L117B                   |                         |
| LP38691SD-ADJ/NOPB   | ACTIVE        | WSON         | NGG             | 6    | 1000        | RoHS & Green        | NIPDAU   SN                          | Level-1-260C-UNLIM   | -40 to 125   | L117B                   | <a href="#">Samples</a> |
| LP38691SDX-ADJ/NOPB  | ACTIVE        | WSON         | NGG             | 6    | 4500        | RoHS & Green        | NIPDAU   SN                          | Level-1-260C-UNLIM   | -40 to 125   | L117B                   | <a href="#">Samples</a> |
| LP38693MP-ADJ/NOPB   | ACTIVE        | SOT-223      | NDC             | 5    | 1000        | RoHS & Green        | SN                                   | Level-1-260C-UNLIM   | -40 to 125   | LJUB                    | <a href="#">Samples</a> |
| LP38693MPX-ADJ/NOPB  | ACTIVE        | SOT-223      | NDC             | 5    | 2000        | RoHS & Green        | SN                                   | Level-1-260C-UNLIM   | -40 to 125   | LJUB                    | <a href="#">Samples</a> |
| LP38693QSD-ADJ/NOPB  | ACTIVE        | WSON         | NGG             | 6    | 1000        | RoHS & Green        | SN                                   | Level-1-260C-UNLIM   | -40 to 125   | LLRB                    | <a href="#">Samples</a> |
| LP38693QSDX-ADJ/NOPB | ACTIVE        | WSON         | NGG             | 6    | 4500        | RoHS & Green        | SN                                   | Level-1-260C-UNLIM   | -40 to 125   | LLRB                    | <a href="#">Samples</a> |
| LP38693SD-ADJ/NOPB   | ACTIVE        | WSON         | NGG             | 6    | 1000        | RoHS & Green        | NIPDAU   SN                          | Level-1-260C-UNLIM   | -40 to 125   | L127B                   | <a href="#">Samples</a> |
| LP38693SDX-ADJ/NOPB  | ACTIVE        | WSON         | NGG             | 6    | 4500        | RoHS & Green        | NIPDAU   SN                          | Level-1-260C-UNLIM   | -40 to 125   | L127B                   | <a href="#">Samples</a> |

(1) The marketing status values are defined as follows:

**ACTIVE:** Product device recommended for new designs.

**LIFEBUY:** TI has announced that the device will be discontinued, and a lifetime-buy period is in effect.

**NRND:** Not recommended for new designs. Device is in production to support existing customers, but TI does not recommend using this part in a new design.

**PREVIEW:** Device has been announced but is not in production. Samples may or may not be available.

**OBSOLETE:** TI has discontinued the production of the device.

(2) **RoHS:** TI defines "RoHS" to mean semiconductor products that are compliant with the current EU RoHS requirements for all 10 RoHS substances, including the requirement that RoHS substance do not exceed 0.1% by weight in homogeneous materials. Where designed to be soldered at high temperatures, "RoHS" products are suitable for use in specified lead-free processes. TI may reference these types of products as "Pb-Free".

**RoHS Exempt:** TI defines "RoHS Exempt" to mean products that contain lead but are compliant with EU RoHS pursuant to a specific EU RoHS exemption.

**Green:** TI defines "Green" to mean the content of Chlorine (Cl) and Bromine (Br) based flame retardants meet JS709B low halogen requirements of <=1000ppm threshold. Antimony trioxide based flame retardants must also meet the <=1000ppm threshold requirement.

(3) MSL, Peak Temp. - The Moisture Sensitivity Level rating according to the JEDEC industry standard classifications, and peak solder temperature.

(4) There may be additional marking, which relates to the logo, the lot trace code information, or the environmental category on the device.

(5) Multiple Device Markings will be inside parentheses. Only one Device Marking contained in parentheses and separated by a "~" will appear on a device. If a line is indented then it is a continuation of the previous line and the two combined represent the entire Device Marking for that device.

(6) Lead finish/Ball material - Orderable Devices may have multiple material finish options. Finish options are separated by a vertical ruled line. Lead finish/Ball material values may wrap to two lines if the finish value exceeds the maximum column width.

**Important Information and Disclaimer:**The information provided on this page represents TI's knowledge and belief as of the date that it is provided. TI bases its knowledge and belief on information provided by third parties, and makes no representation or warranty as to the accuracy of such information. Efforts are underway to better integrate information from third parties. TI has taken and continues to take reasonable steps to provide representative and accurate information but may not have conducted destructive testing or chemical analysis on incoming materials and chemicals. TI and TI suppliers consider certain information to be proprietary, and thus CAS numbers and other limited information may not be available for release.

In no event shall TI's liability arising out of such information exceed the total purchase price of the TI part(s) at issue in this document sold by TI to Customer on an annual basis.

## TAPE AND REEL INFORMATION



### QUADRANT ASSIGNMENTS FOR PIN 1 ORIENTATION IN TAPE



\*All dimensions are nominal

| Device               | Package Type | Package Drawing | Pins | SPQ  | Reel Diameter (mm) | Reel Width W1 (mm) | A0 (mm) | B0 (mm) | K0 (mm) | P1 (mm) | W (mm) | Pin1 Quadrant |
|----------------------|--------------|-----------------|------|------|--------------------|--------------------|---------|---------|---------|---------|--------|---------------|
| LP38691QSD-ADJ/NOPB  | WSON         | NGG             | 6    | 1000 | 178.0              | 12.4               | 3.3     | 3.3     | 1.0     | 8.0     | 12.0   | Q1            |
| LP38691QSDX-ADJ/NOPB | WSON         | NGG             | 6    | 4500 | 330.0              | 12.4               | 3.3     | 3.3     | 1.0     | 8.0     | 12.0   | Q1            |
| LP38691SD-ADJ        | WSON         | NGG             | 6    | 1000 | 178.0              | 12.4               | 3.3     | 3.3     | 1.0     | 8.0     | 12.0   | Q1            |
| LP38691SD-ADJ/NOPB   | WSON         | NGG             | 6    | 1000 | 180.0              | 12.4               | 3.3     | 3.3     | 1.0     | 8.0     | 12.0   | Q1            |
| LP38691SDX-ADJ/NOPB  | WSON         | NGG             | 6    | 4500 | 330.0              | 12.4               | 3.3     | 3.3     | 1.0     | 8.0     | 12.0   | Q1            |
| LP38693MP-ADJ/NOPB   | SOT-223      | NDC             | 5    | 1000 | 330.0              | 16.4               | 7.0     | 7.5     | 2.2     | 12.0    | 16.0   | Q3            |
| LP38693MPX-ADJ/NOPB  | SOT-223      | NDC             | 5    | 2000 | 330.0              | 16.4               | 7.0     | 7.5     | 2.2     | 12.0    | 16.0   | Q3            |
| LP38693QSD-ADJ/NOPB  | WSON         | NGG             | 6    | 1000 | 178.0              | 12.4               | 3.3     | 3.3     | 1.0     | 8.0     | 12.0   | Q1            |
| LP38693QSDX-ADJ/NOPB | WSON         | NGG             | 6    | 4500 | 330.0              | 12.4               | 3.3     | 3.3     | 1.0     | 8.0     | 12.0   | Q1            |
| LP38693SD-ADJ/NOPB   | WSON         | NGG             | 6    | 1000 | 180.0              | 12.4               | 3.3     | 3.3     | 1.0     | 8.0     | 12.0   | Q1            |
| LP38693SDX-ADJ/NOPB  | WSON         | NGG             | 6    | 4500 | 330.0              | 12.4               | 3.3     | 3.3     | 1.0     | 8.0     | 12.0   | Q1            |



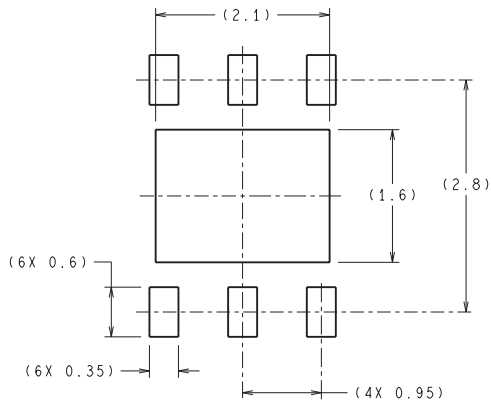
**TAPE AND REEL BOX DIMENSIONS**


\*All dimensions are nominal

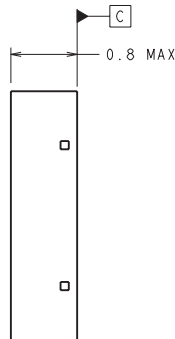
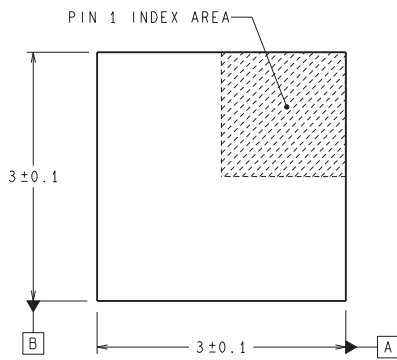
| Device               | Package Type | Package Drawing | Pins | SPQ  | Length (mm) | Width (mm) | Height (mm) |
|----------------------|--------------|-----------------|------|------|-------------|------------|-------------|
| LP38691QSD-ADJ/NOPB  | WSON         | NGG             | 6    | 1000 | 210.0       | 185.0      | 35.0        |
| LP38691QSDX-ADJ/NOPB | WSON         | NGG             | 6    | 4500 | 367.0       | 367.0      | 35.0        |
| LP38691SD-ADJ        | WSON         | NGG             | 6    | 1000 | 210.0       | 185.0      | 35.0        |
| LP38691SD-ADJ/NOPB   | WSON         | NGG             | 6    | 1000 | 200.0       | 183.0      | 25.0        |
| LP38691SDX-ADJ/NOPB  | WSON         | NGG             | 6    | 4500 | 346.0       | 346.0      | 35.0        |
| LP38693MP-ADJ/NOPB   | SOT-223      | NDC             | 5    | 1000 | 367.0       | 367.0      | 35.0        |
| LP38693MPX-ADJ/NOPB  | SOT-223      | NDC             | 5    | 2000 | 367.0       | 367.0      | 35.0        |
| LP38693QSD-ADJ/NOPB  | WSON         | NGG             | 6    | 1000 | 210.0       | 185.0      | 35.0        |
| LP38693QSDX-ADJ/NOPB | WSON         | NGG             | 6    | 4500 | 367.0       | 367.0      | 35.0        |
| LP38693SD-ADJ/NOPB   | WSON         | NGG             | 6    | 1000 | 200.0       | 183.0      | 25.0        |
| LP38693SDX-ADJ/NOPB  | WSON         | NGG             | 6    | 4500 | 346.0       | 346.0      | 35.0        |



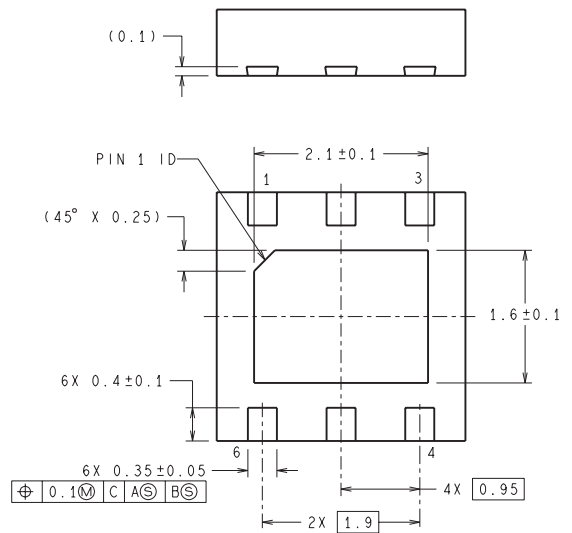
NGG0006A



RECOMMENDED LAND PATTERN



DIMENSIONS ARE IN MILLIMETERS  
DIMENSION IN ( ) FOR REFERENCE ONLY



SDE06A (Rev A)

## 重要声明和免责声明

TI 提供技术和可靠性数据（包括数据表）、设计资源（包括参考设计）、应用或其他设计建议、网络工具、安全信息和其他资源，不保证没有瑕疵且不做任何明示或暗示的担保，包括但不限于对适销性、某特定用途方面的适用性或不侵犯任何第三方知识产权的暗示担保。

这些资源可供使用 TI 产品进行设计的熟练开发人员使用。您将自行承担以下全部责任：(1) 针对您的应用选择合适的 TI 产品，(2) 设计、验证并测试您的应用，(3) 确保您的应用满足相应标准以及任何其他安全、安保或其他要求。这些资源如有变更，恕不另行通知。TI 授权您仅可将这些资源用于研发本资源所述的 TI 产品的应用。严禁对这些资源进行其他复制或展示。您无权使用任何其他 TI 知识产权或任何第三方知识产权。您应全额赔偿因在这些资源的使用中对 TI 及其代表造成的任何索赔、损害、成本、损失和债务，TI 对此概不负责。

TI 提供的产品受 TI 的销售条款 (<https://www.ti.com.cn/zh-cn/legal/termsofsale.html>) 或 [ti.com.cn](https://www.ti.com.cn) 上其他适用条款/TI 产品随附的其他适用条款的约束。TI 提供这些资源并不会扩展或以其他方式更改 TI 针对 TI 产品发布的适用的担保或担保免责声明。

邮寄地址：上海市浦东新区世纪大道 1568 号中建大厦 32 楼，邮政编码：200122  
Copyright © 2021 德州仪器半导体技术（上海）有限公司